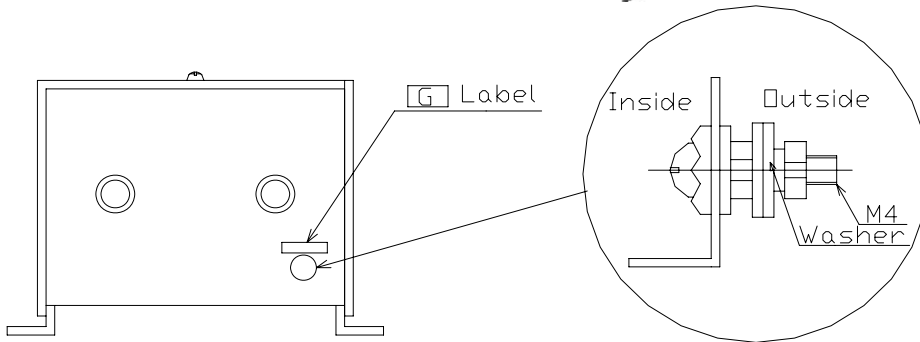


Transformer Box for indoor type

TS series



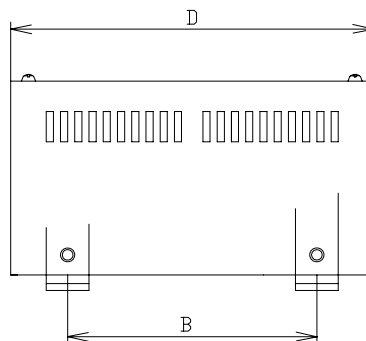
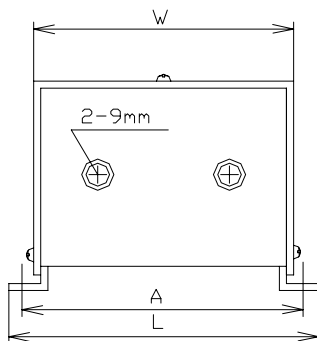
Earth terminal mounting



TS-1, TS-2, TS-3

Type	Adequate capacity Single phase only	W	H	D	L	A	B	Weight (Kg)	Hole Size (mm)
TS-1	30VA - 50VA	120	105	170	160	145	110	1.4	M5
TS-2	50VA - 200VA	160	145	240	210	190	180	2.3	M6
TS-3	300VA - 400VA	180	160	270	230	210	200	2.8	M6

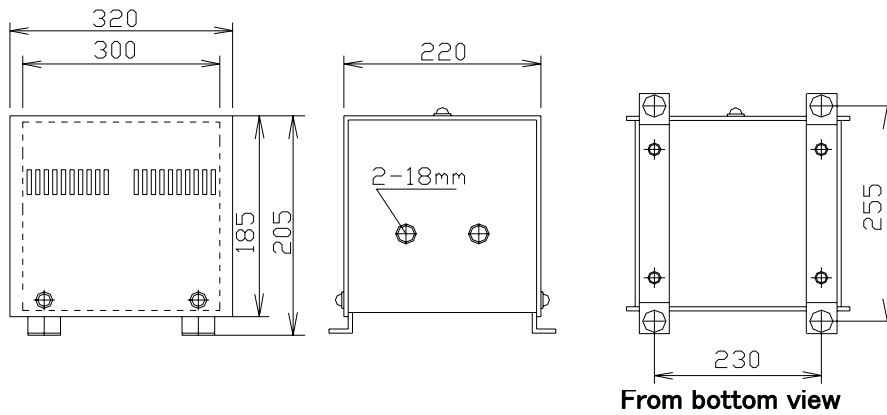
✘There are no lug-hole inside of the box. You need to make it by yourself.



TS-4

Type	Adequate capacity (Single phase only)
TS-4	500VA - 1KVA

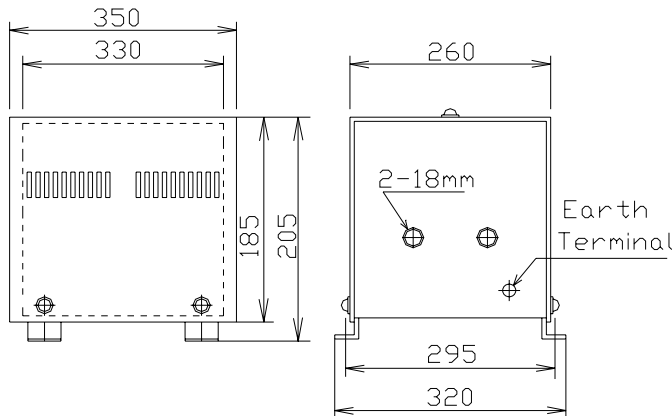
※There are no lug-hole inside of the box. You need to make it by yourself.



TS-5

Type	Adequate capacity (Single phase)	Adequate capacity (Three phase)
TS-4	1.5KVA - 3KVA	300VA - 2KVA

※There are no lug-hole inside of the box. You need to make it by yourself.



TS-6

Type	Adequate capacity (Single phase only)
TS-6	4KVA - 5KVA

※There are no lug-hole inside of the box. You need to make it by yourself.

