

Wiring accessory and tools

Supports (movable type)

Feature

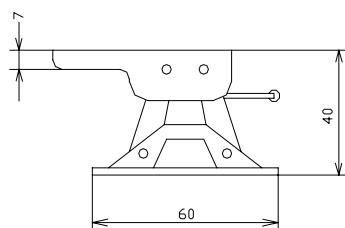
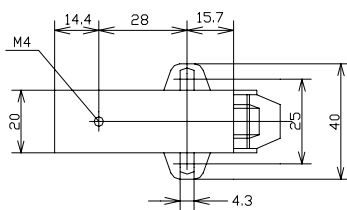
Using these supports, you can tilt the wired terminal blocks and sockets by a single action.

Thanks to the move ability of the support, you can perform wiring more smoothly. The inclination for inside or outside wiring can be set by a single action.

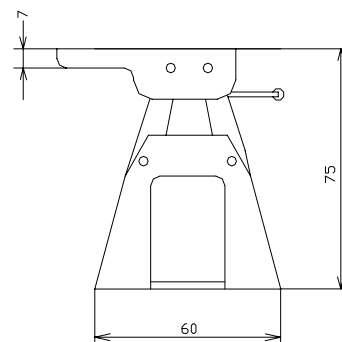
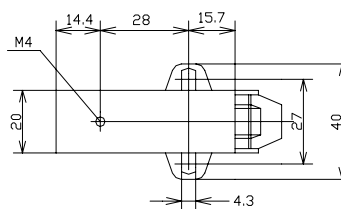
- Inclination Lock : 3stages, -25° , horizontal, 25°
No lock : -40° , horizontal, 40° (3way)

- Parts name and Height

RS-40M

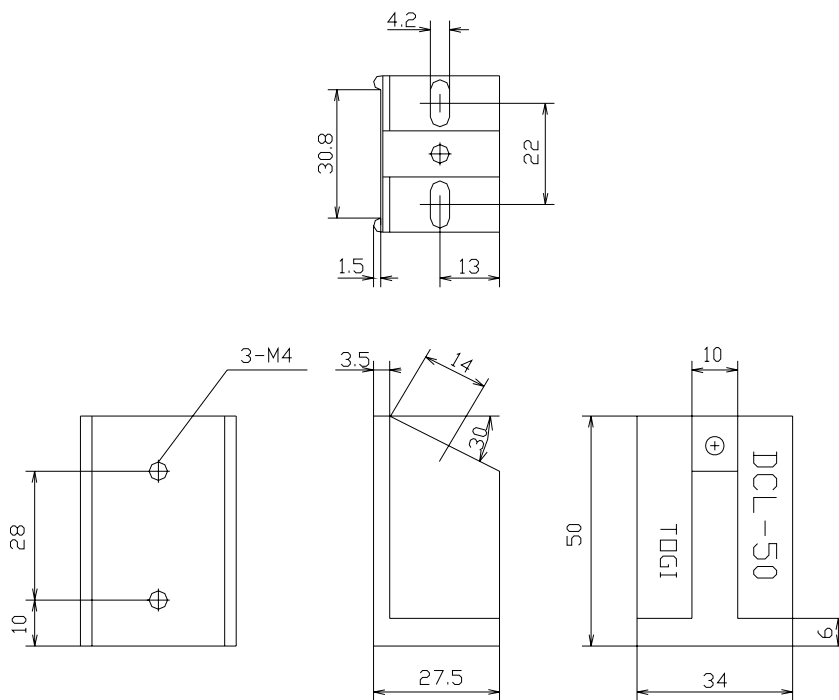
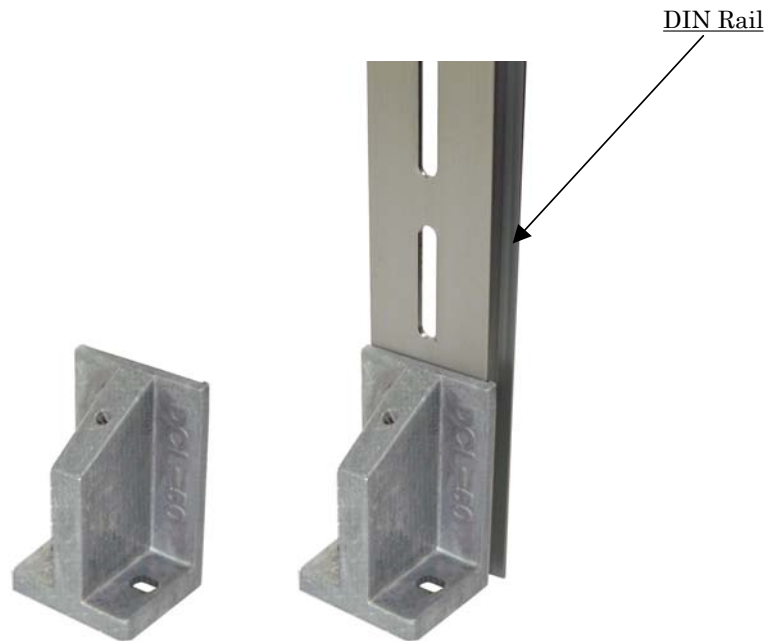


RS-75M



Supports (stationary type)

- **Parts name**
DCL-50
- **Material**
Zinc die-casting
- **Adaptable rail**
DAV, DAS, DIS



Band Tying Tools F303 Type

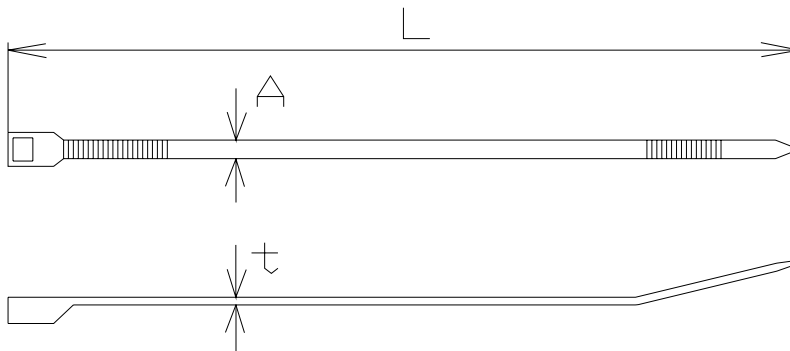
Feature

- Upon tightening to the preset strength, the band is automatically cut.
- The bands are always tightened evenly, irrespective of the difference in the operator's grip or between operators.
- This tool is used in bundling wires. It is graduated in three stages to meet your required wire bundle diameter and the size of the tie used. Set the tool to a desired strength rank in consideration of the following table. And the tool will tighten the band to the set strength and then cut it.



You can adjust tighten strength by this adjuster.

Model	Strength rank	Applicable Bindings Band size		
		Width A	Thickness t	Length L
F303	1 to 3	2.4mm	1.0mm	80mm
	4 to 5	2.5mm	1.1mm	100mm
	6	3.6mm	1.2mm	140mm
	7	4.8mm	1.3mm	190mm
	8	7.6mm	1.6mm	368mm



Flat Tubes



Feature

- Not falling off wire. The flat tube on wire exerts a force to hold the wire so that it does not fall off. That is, it does not require the conventional, additional measure against falling off.
- Permitting hand marking. Thanks to the flattened shape and the surface texture suited for marking with hand, you can easily mark the tube even on the job site.
- Suited for improvement of quality in box. The tube can be

easily sealed with a hot marker and the sealed characters look beautiful and easy to see.

- Improved safety The tube comes with a sufficient wall thickness and its material displays excellent insulation. Therefore, you can see rely on its safety.
- Usable with any solder less terminals The tube can be used for your wire, whether or not the end of the wire is processed (end is processed as a solder less terminal). Therefore, you will be released from the problem of wire marking.
- Usable with any wires. The tube can widely be used for various kinds of wires, such as parallel cords and industrial VA wires, since the tube works adequately even if its size is relatively large.
- Economical One model of tubes can be used in a wide range of wire size, so that you do not have to keep a large stock of various models.

Rating

Rated voltage: 600V Insulation resistance :
1,000M Ω or more

Withstand voltage: 5,000V for 1 minute



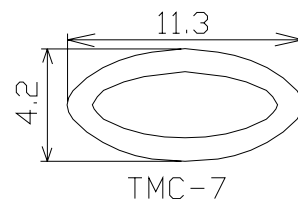
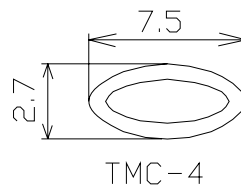
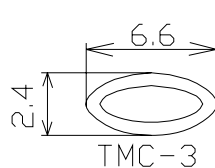
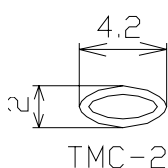
Heat resistance

120°C for 1 hour

Deformation: 7% or less

Contraction: 7% or less

● Dimensional drawing



● Order form

Model	Inside diameter	Applicable wire	Length	Packing
TMC-2	Φ2.3	Below 0.4m m ²	200m	1 case
TMC-3	Φ3.5	0.4 - 2m m ²	200m	1 case
TMC-4	Φ4.5	0.75 - 3.5m m ²	200m	1 case
TMC-7	Φ7.3	3.5 - 8m m ²	100m	1 case

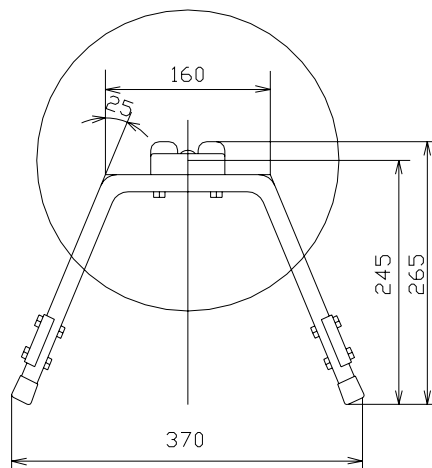
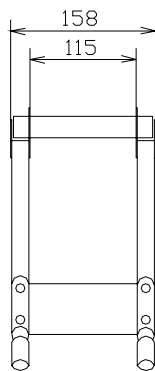
Color: White is standard color

Beside we have Black, Red, Blue, Green, and Yellow

Stand for TOGI Flat Tubes

Model name : **STD-1**

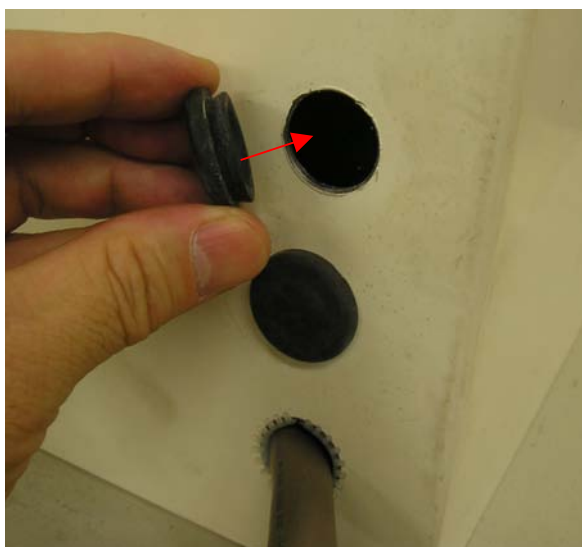
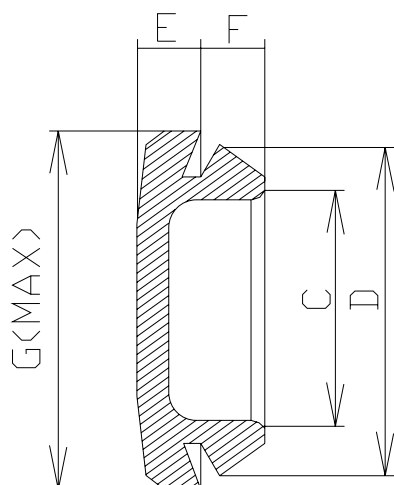
This dedicated stand improves your operation efficiency with your name plates, labels and flat tubes.



Lid (EMT-)

This lid can close the hole of panel if some holes don't want or no need.

Material: Vinyl chloride (Oil resistance)



Just push in to the hole

(mm)

Parts name	G	C	D	E	F
EMT-16※	φ 18	φ 15.4	φ 17.2	4	6.2
EMT-22※	φ 30	φ 21	φ 25.5	6	5.5
EMT-30※	φ 39	φ 27	φ 33	7	7

※: Put a color code

B: Black No code: Gray