

☆ Form : VTH-2.5※

■ Features

- The spring force method is used to connect the wires which are Vibration resistance and trouble free operation
- Just insert and one touch connection is made possible
- Special Jumper (short bar) is provided for this terminal blocks
- It is possible to insert the 12mm width nameplates
- For mounting, the standard 35mm-width DIN rail is compatible.
- Small sizes terminal with 5.2mm and Height 34.5mm (with rail)



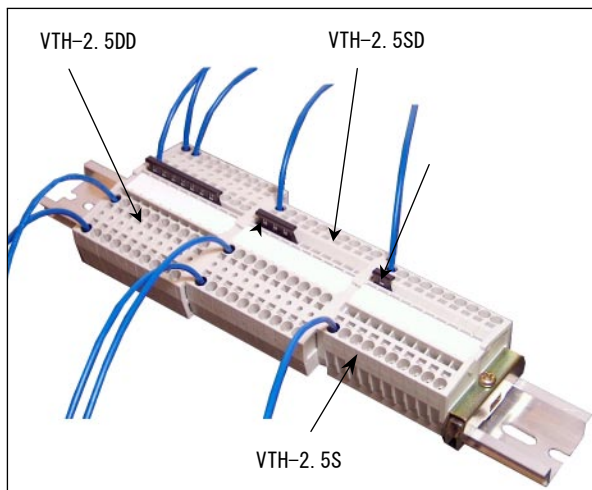
■ Ratings

Rated Voltage	600V · 20A
Applicable wire	2.5mm ² / MAX (AWG14)
Insulation resistance	More than 100M Ω (DC500V)
Withstand voltage	AC2500V / 1min
Ambient temperature	-25°C ~ +60°C (Condensation)
Ambient temperature	45 ~ 85%
Stripped length	9 ~ 10mm
Protective structure	IP2X

■ Specification

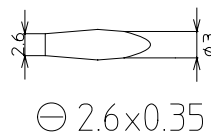
Part name	Material	Note
Terminal body	66Nylon (gray)	UL94 V-0
Conducting	C2680R (Sn plating)	
Spring	SUS	
Name plate	PVC	12W x 0.5t

■ Composition




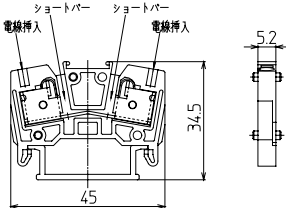

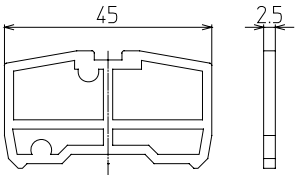
■ Tool (screw driver)

(recommended size)




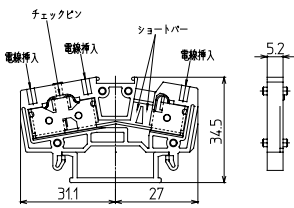

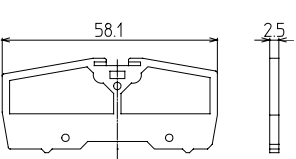
■Terminal block

■Side plate

<p>VTH-2.5S (1:1)</p>	<p>Order form : VTH-2.5S Sales lot : 100pcs</p>	<p>VTH-2.5SE</p>	<p>Order form : VTH-2.5SE Sales lot : 100pcs</p>
	<p>Standard price : 46Yen/1P</p> 		<p>Standard price : 32yen/1P</p> 


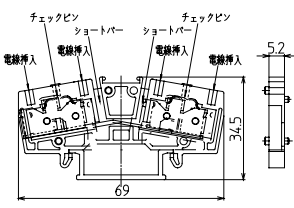

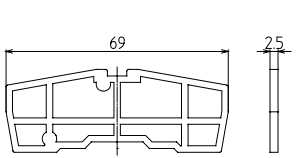
■Terminal block

■Side plate

<p>VTH-2.5SD (1:2)</p>	<p>Order form : VTH-2.5SD Sales lot : 100pcs</p>	<p>VTH-2.5SDE</p>	<p>Order form : VTH-2.5SDE Sales lot : 100pcs</p>
	<p>Standard price : 63yen/1P</p> 		<p>Standard price : 33yen/1P</p> 

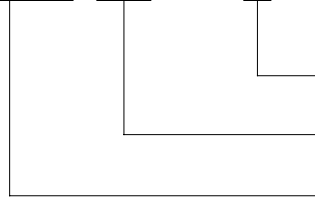
■Terminal block

■Side plate

<p>VTH-2.5DD (2:2)</p>	<p>Order form : VTH-2.5DD Sales lot : 80pcs</p>	<p>VTH-2.5DDE</p>	<p>Order form : VTH-2.5DDE Sales lot : 50pcs</p>
	<p>Standard price : 79yen/1P</p> 		<p>Standard price : 37yen/1P</p> 

■ Jumper (Short bar)

● Order form :VTH-2.5 □B - □



極数 : 2,4,8

Number of poles

絶縁材色 : B-黒、R-赤

Color : B Black, R Red

基本形式

Basic form

● Rating Specification

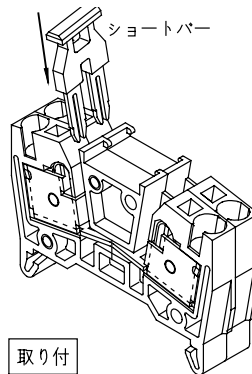
Withstand Voltage	AC1500V/1min
-------------------	--------------

Contact	C5210 (Sn Plating)
Material	Nylon

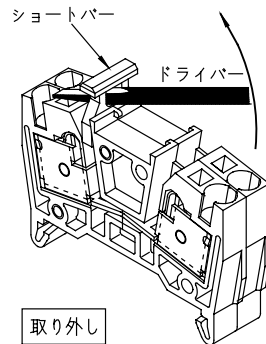
Price (50pcs/lot)	2P	3,550yen
	4P	4,250yen
	8P	5,380yen

○ How to take out a short bar (jumper)

Use a screw driver to take it out
(See below picture)



Insert a short bar



Take out the short bar

● External view

	Dimensional drawing	Dimensions	
		Number of pole	Length (A)
		2P	8.2
		4P	18.6
		8P	39.4