



PT Series

Use with DIN 35mm Rail

Installation of 15A to 600A Terminal Blocks on Rail Possible

- Different capacity terminal blocks can be assembled on one rail as a unit.
- Like PTU Series, PT-10 to PT150 models can be installed on the rail by a single action.

Performance and Characteristics

- Standard service conditions : Ambient temperature -25°C to +60°C
Relative humidity 45 to 85%
- Temperature rise :35degrees or less at conductive plate
- Insulation resistance :200MΩ or more between live parts and between each live part and metal plate
(Measured with DC 500V megger)
- Power-frequency withstand voltage : 2500V for 1 minute (PT-20 to PT-150)
5000V for 1 minute (PT200 to PT-600)
- Applicable standard : JIS C2811

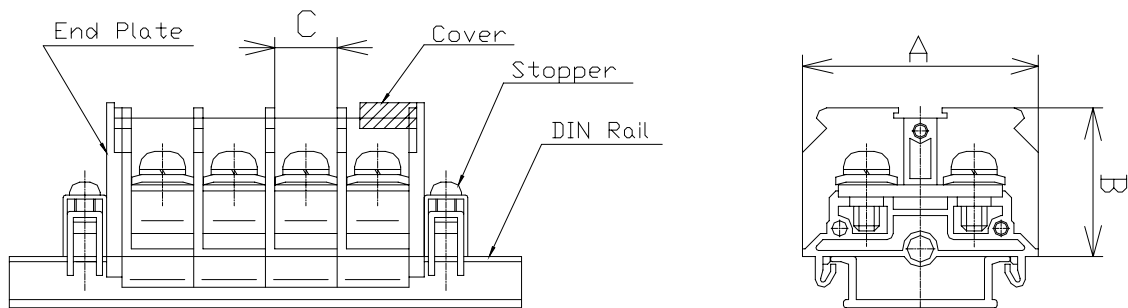
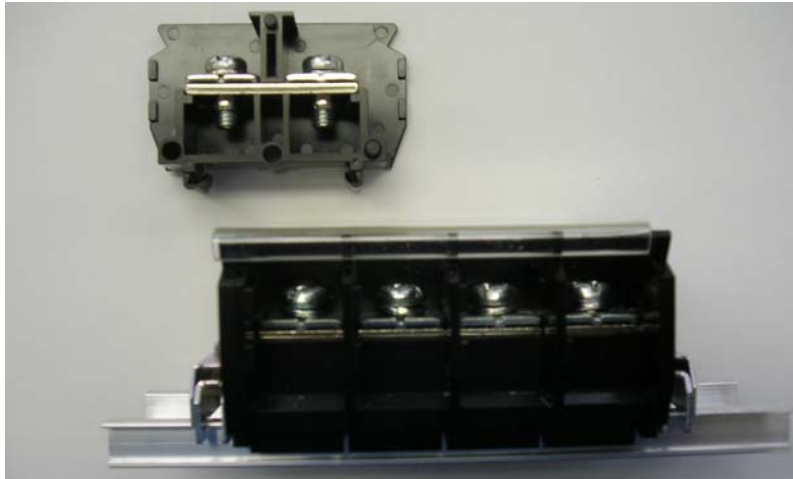
Materials

Body	Conductive Plate	Screw	End Plate	Name Plate	Cover
PPO	Brass	SWRM	PPO	PVC	PC

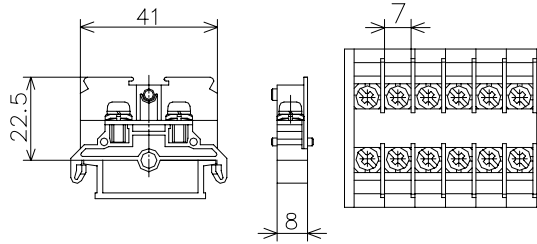
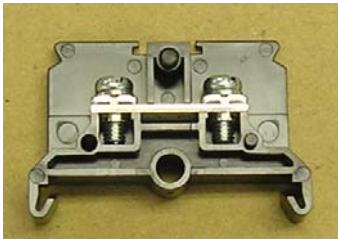
Rating of UL, CSA, TÜF approved Products

CSA file No.LR109308

UL file No.E113585



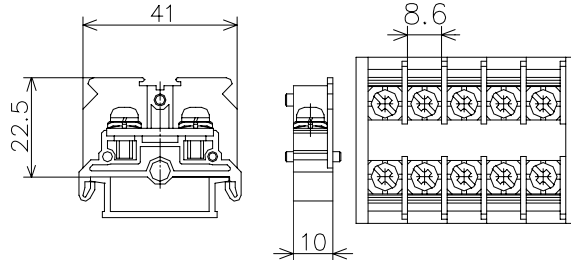
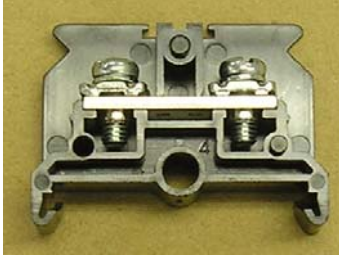
PT-20



Rating Voltage	AC/DC600V
Rating Current	22A
Connectable wire	2.0mm ²
Max Current	1.25mm ² -16A 2.0mm ² -22A
Terminal screw	M3.5 × 8L
Tightening Torque	1.4N.m

End Plate (PPO)	PSL-1
Name Plate (PVC)	AM-10
Cover (PC)	CA-34
Short Bar (Jumper)	BB8A ,SB8A
Stopper (SPCC)	HDV-1
Rail	DIN 35mm

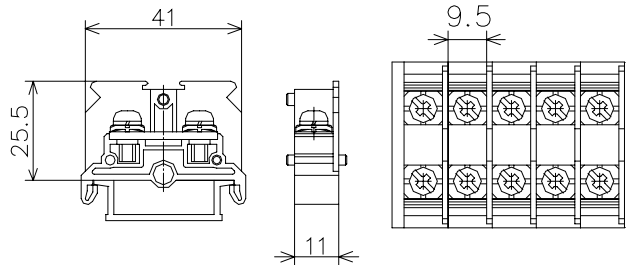
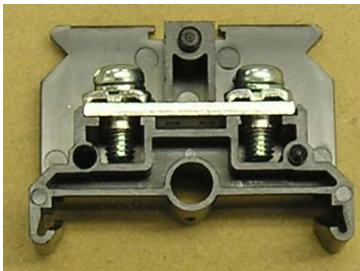
PT-30



Rating Voltage	AC/DC600V
Rating Current	30A
Connectable wire	3.5mm ²
Max Current	1.25mm ² -15A
	3.5mm ² -30A
Terminal screw	M4 × 10L
Tightening Torque	1.8N.m

End Plate (PPO)	PT-30L2
Name Plate (PVC)	AM-10
Cover (PC)	CA-36
Short Bar (Jumper)	BB10 ,SB10
Stopper (SPCC)	HDV-1
Rail	DIN 35mm

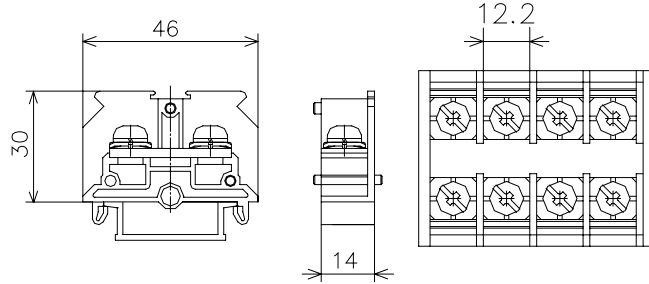
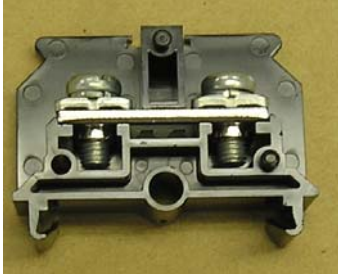
PT-40



Rating Voltage	AC/DC600V
Rating Current	40A
Connectable wire	5.5mm ²
Max Current	3.5mm ² -30A
	5.5mm ² -40A
Terminal screw	M4 × 10L
Tightening Torque	1.8N.m

End Plate (PPO)	PT-40L2
Name Plate (PVC)	AM-10
Cover (PC)	CA-36
Short Bar (Jumper)	BB11 ,SB11
Stopper (SPCC)	HDV-1
Rail	DIN 35mm

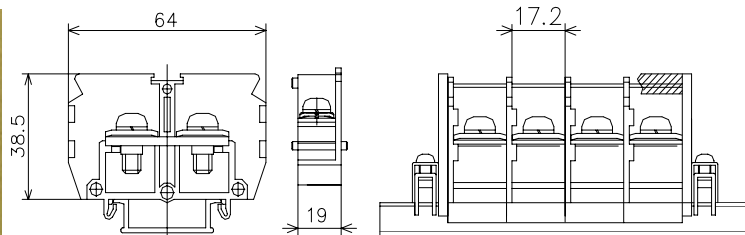
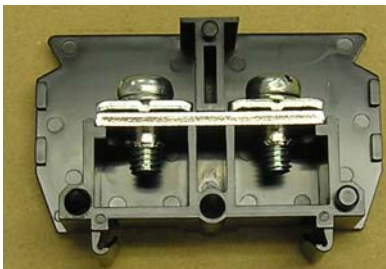
PT-80



Rating Voltage	AC/DC600V
Rating Current	75A
Connectable wire	14mm ²
Max Current	5.5mm ² -40A
	14mm ² -75A
Terminal screw	M5 × 12L
Tightening Torque	3N.m

End Plate (PPO)	PT-80L
Name Plate (PVC)	AM-10
Cover (PC)	CA-40
Short Bar (Jumper)	BB14 ,SB14
Stopper (SPCC)	HDV-2
Rail	DIN 35mm

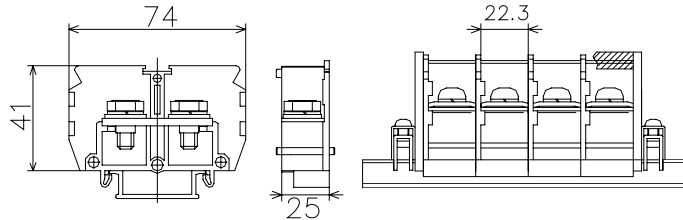
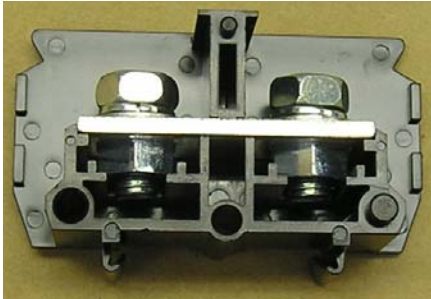
PT-90



Rating Voltage	AC/DC600V
Rating Current	95A
Connectable wire	22mm ²
Max Current	8mm ² -50A
	22mm ² -95A
Terminal screw	M6 × 14L
Tightening Torque	3.7N.m

End Plate (PPO)	PT-90L
Name Plate (PVC)	AM-10
Cover (PC)	CA-60
Short Bar (Jumper)	
Stopper (SPCC)	HDV-1
Rail	DIN 35mm

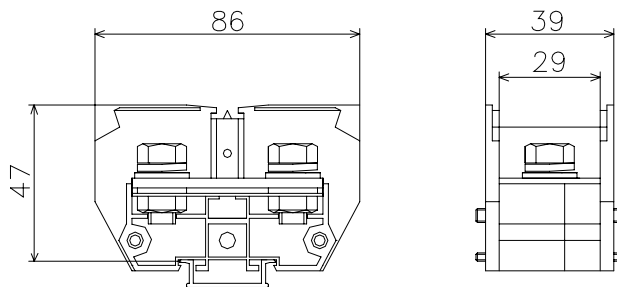
PT-150



Rating Voltage	AC/DC600V
Rating Current	160A
Connectable wire	60mm ²
Max Current	22mm ² -95A
	60mm ² -160A
Terminal screw	M8 × 16L
Tightening Torque	9N.m

End Plate (PPO)	PT-150L
Name Plate (PVC)	AM-10
Cover (PC)	CA-69
Short Bar (Jumper)	
Stopper (SPCC)	HDV-2
Rail	DIN 35mm

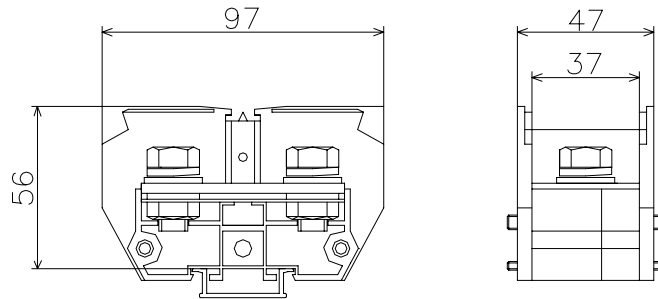
PT-200



Rating Voltage	AC/DC600V
Rating Current	200A
Connectable wire	100mm ²
Max Current	38mm ² -130A
	100mm ² -200A
Terminal screw	M10 × 20L
Tightening Torque	14.7N.m

End Plate (PPO)	PT-200L
Name Plate (PVC)	Solid construction
Cover (PC)	Solid construction
Short Bar (Jumper)	
Stopper (SPCC)	HDV-2
Rail	DIN 35mm

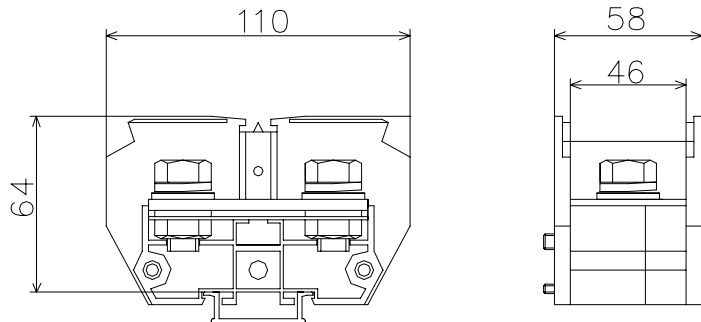
PT-300



Rating Voltage	AC/DC600V
Rating Current	300A
Connectable wire	150mm ²
Max Current	60mm ² -160A
	150mm ² -300A
Terminal screw	M10 × 25L
Tightening Torque	14.7N.m

End Plate (PPO)	PT-200L
Name Plate (PVC)	Solid construction
Cover (PC)	Solid construction
Short Bar (Jumper)	
Stopper (SPCC)	HDV-2
Rail	DIN 35mm

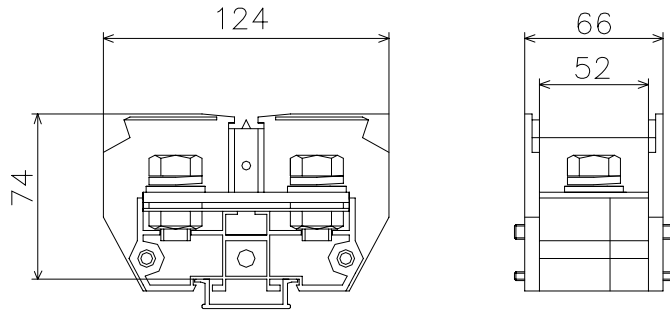
PT-400



Rating Voltage	AC/DC600V
Rating Current	400A
Connectable wire	200mm ²
Max Current	100mm ² -240A
	200mm ² -400A
Terminal screw	M12 × 30L
Tightening Torque	20.6N.m

End Plate (PPO)	PT-200L
Name Plate (PVC)	Solid construction
Cover (PC)	Solid construction
Short Bar (Jumper)	
Stopper (SPCC)	HDV-2
Rail	DIN 35mm

PT-600



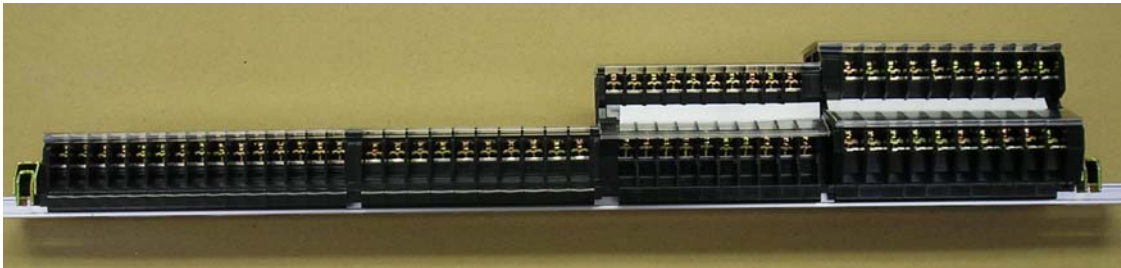
Rating Voltage	AC/DC600V
Rating Current	600A
Connectable wire	325mm ²
Max Current	150mm ² -310A
	325mm ² -600A
Terminal screw	M16 × 35L
Tightening Torque	37.3N.m

End Plate (PPO)	PT-200L
Name Plate (PVC)	Solid construction
Cover (PC)	Solid construction
Short Bar (Jumper)	
Stopper (SPCC)	HDV-2
Rail	DIN 35mm

TUGI

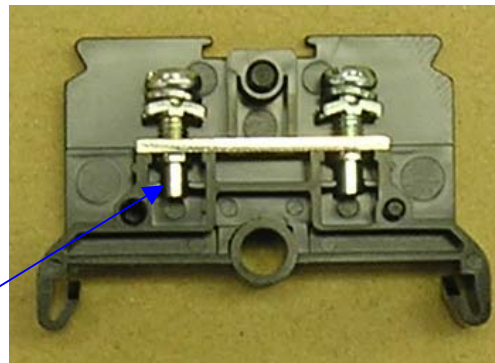
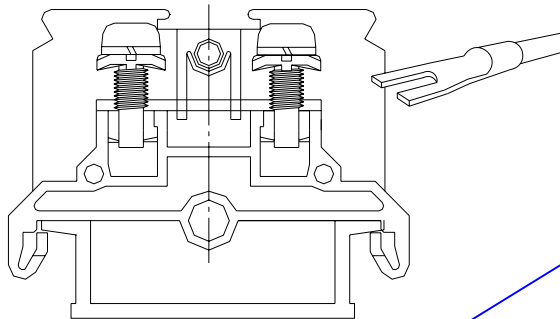
PT-SS Series

Use with DIN 35mm Rail



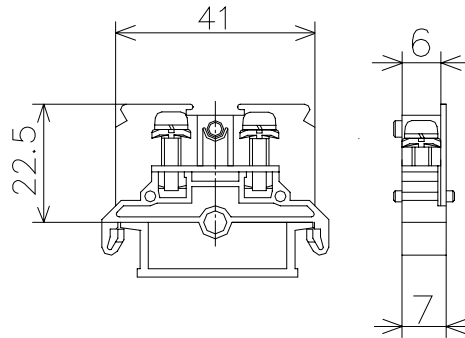
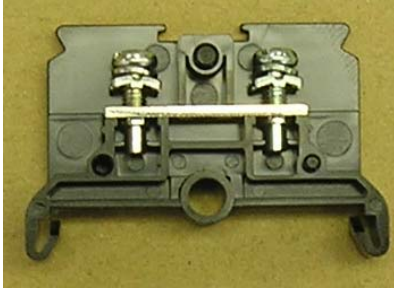
Support Screw Incorporated

- Unlike the conventional UP screw, the support screw (patent P) is held on the conductive plate even after it is loosened. Therefore, you have only to tighten up the screw when connecting a Y type solder less terminal. This type consisting of a smaller number of parts comes at a **lower cost** and will **improve your operation efficiency considerably**.
- The support screw can be set in a temporarily held position when connecting a ring solder less terminal.
- The support screw type is available in one stage or two stages. The terminal blocks can be easily removed even in the middle of the rail.



Support Screw

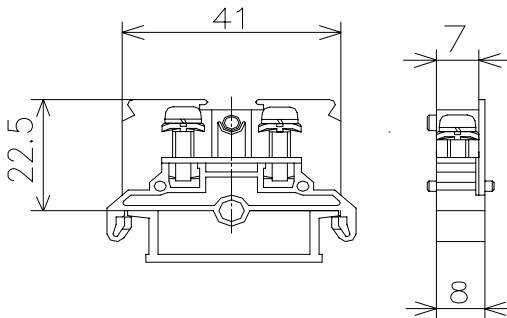
PT-SS10



Rating Voltage	AC/DC600V
Rating Current	15A
Connectable wire	1.25mm ²
Max Current	0.75mm ² -11A
	1.25mm ² -15A
Terminal screw	M3 × 9.8L
Tightening Torque	1.2N.m

End Plate (PPO)	PSL-1
Name Plate (PVC)	AM-10
Cover (PC)	CA-34
Short Bar (Jumper)	BB7A ,SB7A
Stopper (SPCC)	HDV-1
Rail	DIN 35mm

PT-SS20



Rating Voltage	AC/DC600V
Rating Current	20A
Connectable wire	2mm ²
Max Current	0.75mm ² -11A
	2mm ² -20A
Terminal screw	M3.5 × 9.8L
Tightening Torque	1.4N.m

End Plate (PPO)	PSL-1
Name Plate (PVC)	AM-10
Cover (PC)	CA-34
Short Bar (Jumper)	BB8A ,SB8A
Stopper (SPCC)	HDV-1
Rail	DIN 35mm