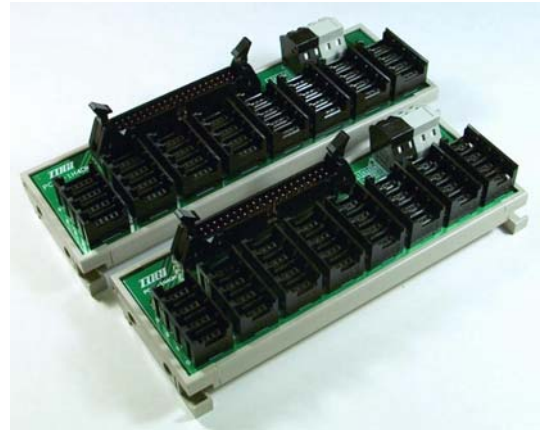


☆ PCE3-1H40M (e-con 3 pin type)

☆ PCE4-1H40M (e-con 4 pin type)

■ Features

- Mounted industry standard e-con connector on the Interface
- Small-scale Interface
- It is optimum Interface for downsized PLC or SBC.
- This Interface can use only for Mitsubishi PLC
- Special tool is not requested for connection
- For mounting, the standard 35mm-width DIN rail is compatible
- It is standard stock item



■ Specification

Rated Voltage	AC/DC 125V
Rated Ampere	1A
Withstand voltage	AC600V / 1min
Insulation resistance	More than 100MΩ(DC500V)
Applicable wire	Power supply 1.25mm ² / MAX
	Stripped length 9-10mm
Ambient temperature	-10°C to +50°C

■ Material

Terminal	66Nylon UL94 V-0
e-con	66Nylon UL94 V-0
Case	Modified PPO UL94 V-0
Board	Glass-epoxy t=1.6

■ Mounted connector

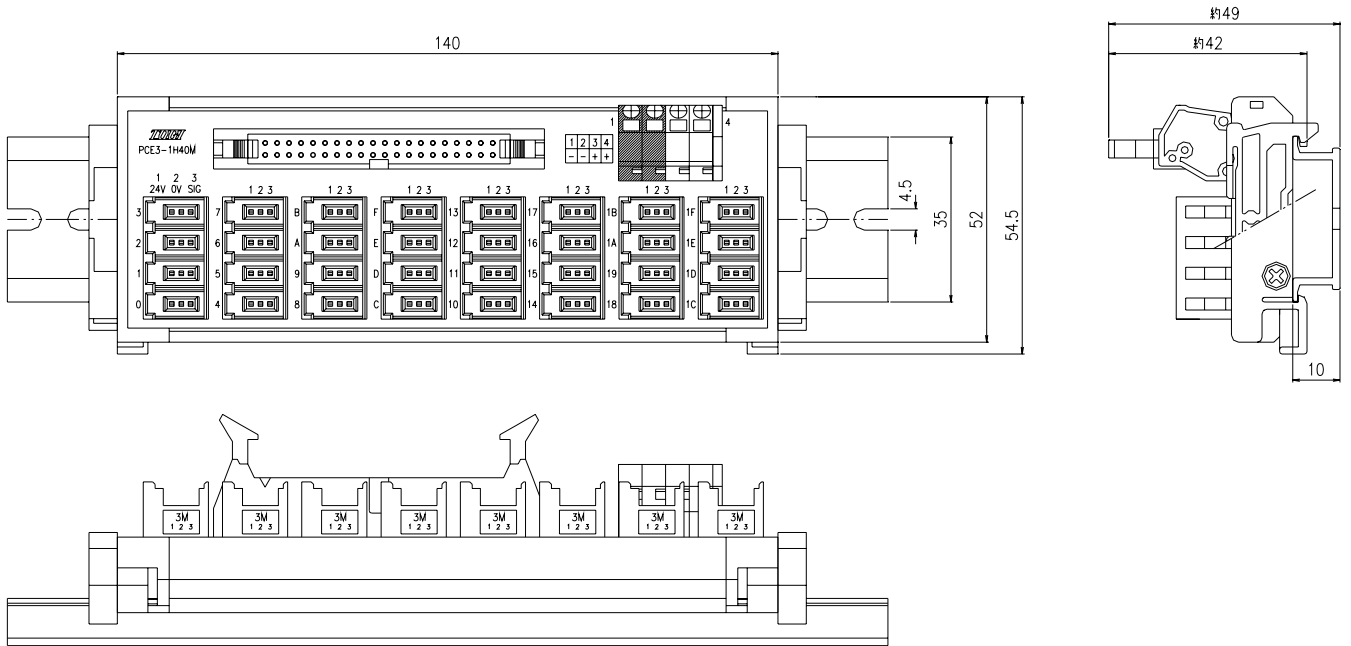
	PCE3-1H40M	PCE4-1H40M	Connector Maker
MIL connector	HIF3BA-40PA-2.54DSA		HIRPSE
e-con	37212-62M3-003 SC (3pole×4line)	37216-62M3-004 SC (4pole×4line)	3M

■ Applicable Connector (3M connector)

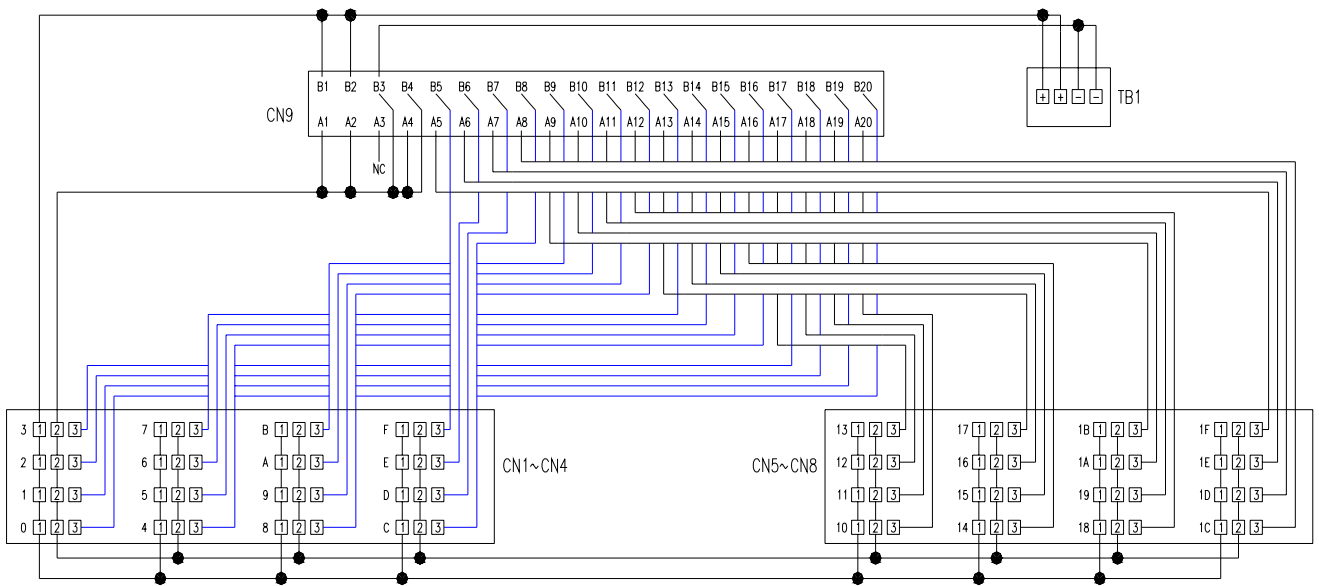
PCE3-1H40M		Applicable Wire		
Cover color	3M Connector Form	AWG No.	Cross-sectional area mm ²	Finished external diameter Φ mm
Red	37103-3101-000 FL	24 - 26	0.14 - 0.3 or below	0.8 - 1.0
Yellow	37103-3122-000 FL	24 - 26	0.14 - 0.3 or below	1.0 - 1.2
Orange	37103-3163-000 FL	24 - 26	0.14 - 0.3 or below	1.2 - 1.6
Green	37103-2124-000 FL	20 - 22	0.3 - 0.5	1.0 - 1.2
Blue	37103-2165-000 FL	20 - 22	0.3 - 0.5	1.2 - 1.6
Grey	37103-2206-000 FL	20 - 22	0.3 - 0.5	1.6 - 2.0

PCE4-1H40M		Applicable Wire		
Cover color	3M Connector Form	AWG No.	Cross-sectional area mm ²	Finished external diameter Φ mm
Red	37104-3101-000 FL	24 - 26	0.14 - 0.3 or below	0.8 - 1.0
Yellow	37104-3122-000 FL	24 - 26	0.14 - 0.3 or below	1.0 - 1.2
Orange	37104-3163-000 FL	24 - 26	0.14 - 0.3 or below	1.2 - 1.6
Green	37104-2124-000 FL	20 - 22	0.3 - 0.5	1.0 - 1.2
Blue	37104-2165-000 FL	20 - 22	0.3 - 0.5	1.2 - 1.6
Grey	37104-2206-000 FL	20 - 22	0.3 - 0.5	1.6 - 2.0

■ PCE3-1H40M Dimensional Drawing



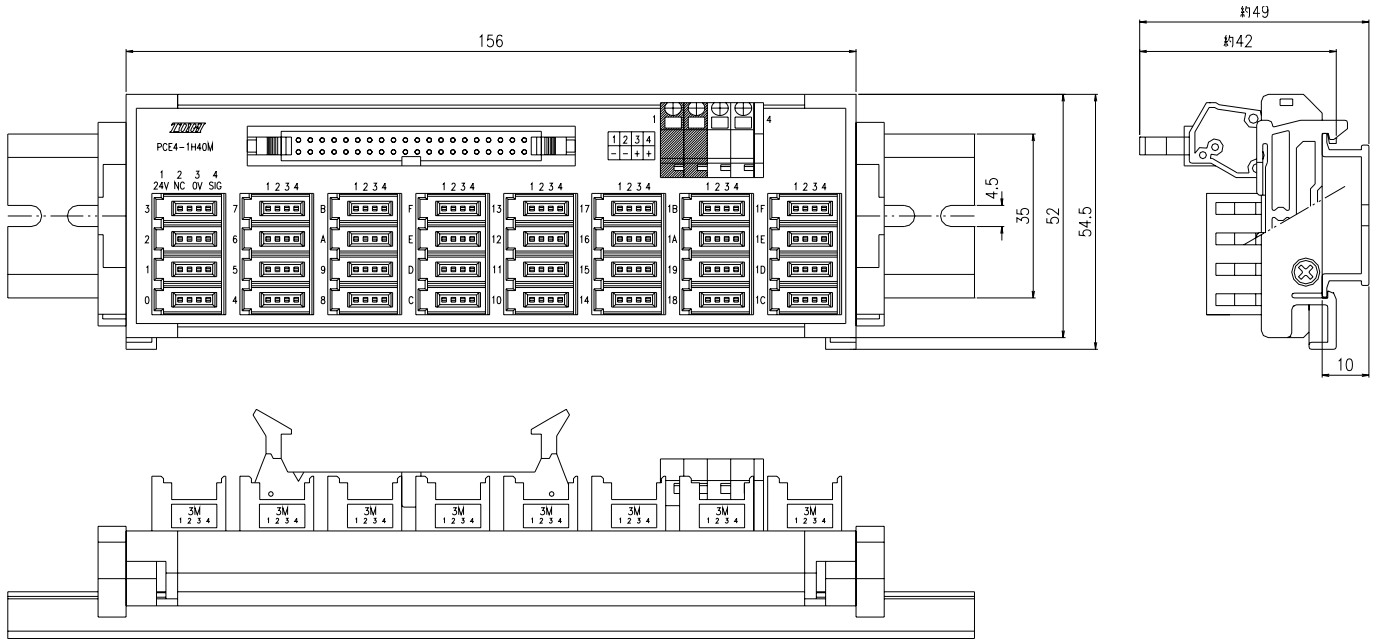
■ PCE3-1H40M Connecting diagram (Top View)



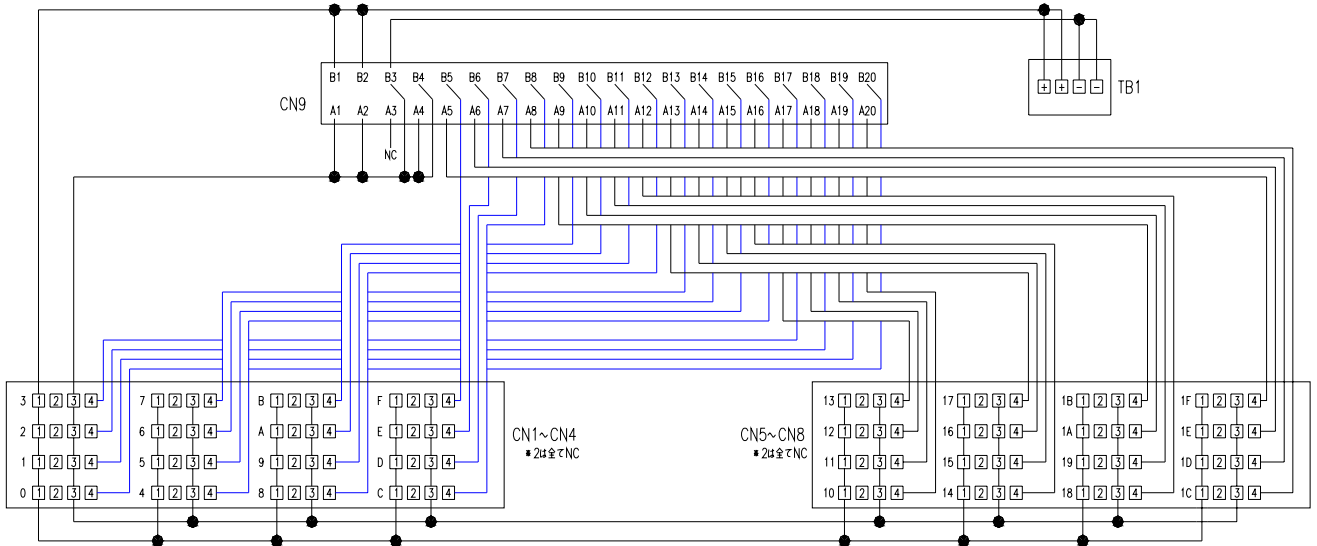
■ Connector Pin arrangement

Pin	PCE3-1H20
1	24V
2	0V
3	SIN(Signal)
4	

■ PCE4-1H40M Dimensional Drawing



■ PCE4-1H40M Connecting Diagram (Top View)



■ Connector Pin arrangement

Pin	PCE4-1H20
1	24V
2	NC
3	0V
4	SIN (Signal)

■ Applicable PLC / Units

Applicable PLC	Input / Output	Unit form	PCE3/PCE4-1H40M	Applicable Cable	
MELSEC-Q Series	Input	QX41	0		
		QX41-S1	0		
		QX42	0		
		QX42-S1	0		
		QX71 (*)	0		
		QX72 (*)	0		
		QX81	0		
		QX82	0		
	Output	QY41P	0		
		QY42P	0		
		QY71 (*)	0		
		QY81P	0		
	In/Out Mix	QH42P	Input		0
Output			0		
MELSEC-AnS Series MELSEC-QnAS Series	Input	A1SX41	0	KB40S-4F1H-***M KB40S-4F1H-LA1-***M (**=0.5,1,1.5,2,3,5) Measure: meter	
		A1SX41-S1	0		
		A1SX41-S2	0		
		A1SX42	0		
		A1SX42-S1	0		
		A1SX42-S2	0		
		A1SX71 (*)	0		
		A1SX81	0		
		A1SX81-S2	0		
		A1SX82-S1	0		
	Output	A1SY41	0		
		A1SY42	0		
		A1SY42P	0		
		A1SY71 (*)	0		
		A1SY81	0		
		A1SY81EP	0		
		A1SY82	0		
		In/Out Mix	A1SH42		Input
	Output				0
	A1SH42-S1		Input		0
			Output		0
	MELSEC-A Series MELSEC-QnA Series	Input	AX42		0
			AX42-S1		0
AX82			0		
Output		AY42	0		
		AY42-S1	0		
		AY42-S2	0		
		AY42-S3	0		
		AY42-S4	0		
		AY72 (*)	0		
		AY82EP	0		
In/Out Mix	AH42	Input	0		
		Output	0		

*When it is used under DC5V or DC12V, use the power supply voltage DC5V or DC12V.