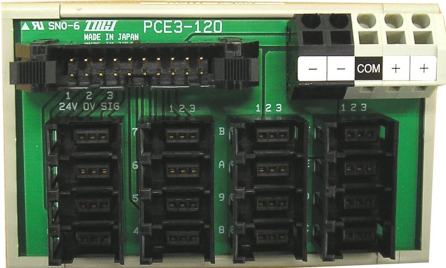


PCE3-1H20 (e-con 3 pin type)

PCE4-1H20 (e-con 4 pin type)

## ■ Features



- Mounted industry standard **e-con** connector on the Interface
- Small-scale Interface
- This interface is designed for Mitsubishi or OMRON main PLC (For DC5V~24V). The interface can be used for Input or Output.
- Special tool is not requested for connection
- For mounting, the standard 35mm-width DIN rail is compatible
- It is standard stock item

## ■ Specification

Rated Voltage	AC/DC 125V
Rated Current	1A
Withstand voltage	AC600V / 1min
Insulation resistance	More than 100MΩ(DC500V)
Applicable wire	Power supply 1.25mm <sup>2</sup> / MAX
	Stripped length 9-10mm
Ambient temperature	-10°C to +50°C

## ■ Material

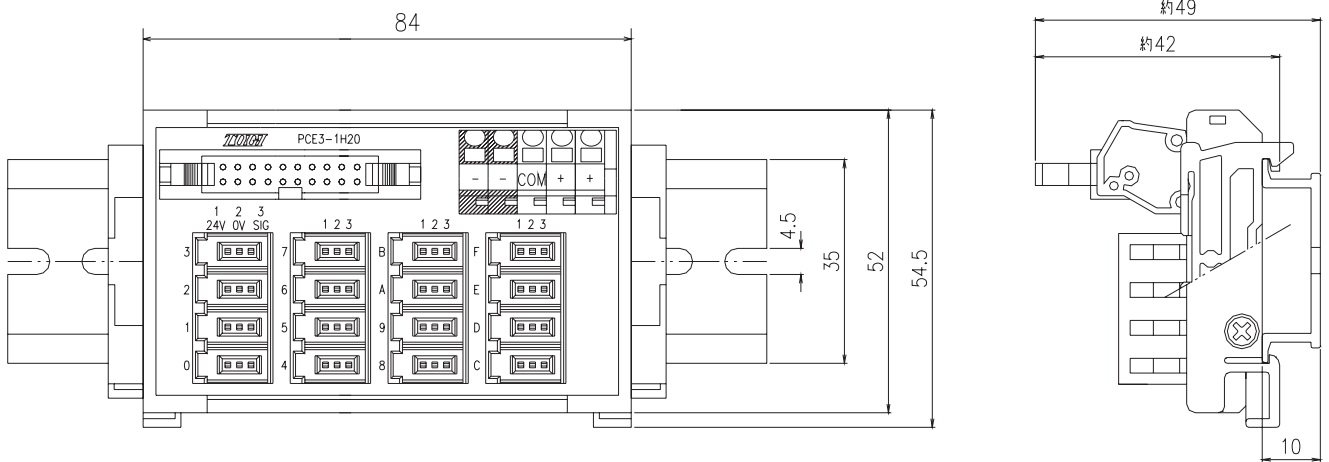
Terminal	66Nylon UL94 V-0
e-con	66Nylon UL94 V-0
Case	Modified PPO UL94 V-0
Board	Glass-epoxy t=1.6

## ■ Applicable Connector (3M connector)

PCE3-1H20 3M Connector Form	Applicable Wire		
	AWG No.	Cross-sectional area m <sup>2</sup>	Finished external diameter φ mm
37103-3101-000 FL	24~26	0.14-0.3 or below	0.8-1.0
37103-3122-000 FL	24~26	0.14-0.3 or below	1.0-1.2
37103-3163-000 FL	24~26	0.14-0.3 or below	1.2-1.6
37103-2124-000 FL	20~22	0.3-0.5	1.0-1.2
37103-2165-000 FL	20~22	0.3-0.5	1.2-1.6
37103-2206-000 FL	20~22	0.3-0.5	1.6-2.0

PCE4-1H20 3M Connector Form	Applicable Wire		
	AWG No.	Cross-sectional area m <sup>2</sup>	Finished external diameter φ mm
37104-3101-000 FL	24~26	0.14-0.3 or below	0.8-1.0
37104-3122-000 FL	24~26	0.14-0.3 or below	1.0-1.2
37104-3163-000 FL	24~26	0.14-0.3 or below	1.2-1.6
37104-2124-000 FL	20~22	0.3-0.5	1.0-1.2
37104-2165-000 FL	20~22	0.3-0.5	1.2-1.6
37104-2206-000 FL	20~22	0.3-0.5	1.6-2.0

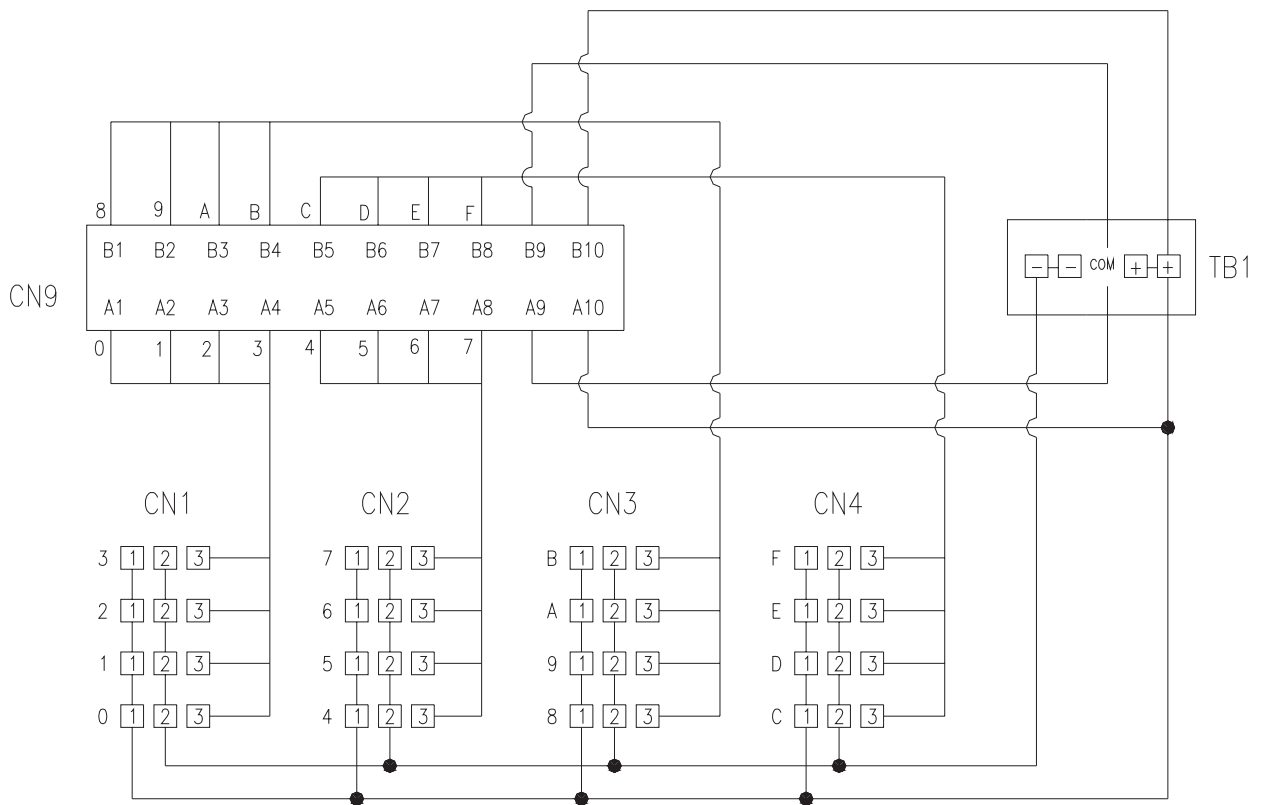
■ PCE3-1H20 Dimensional Drawing



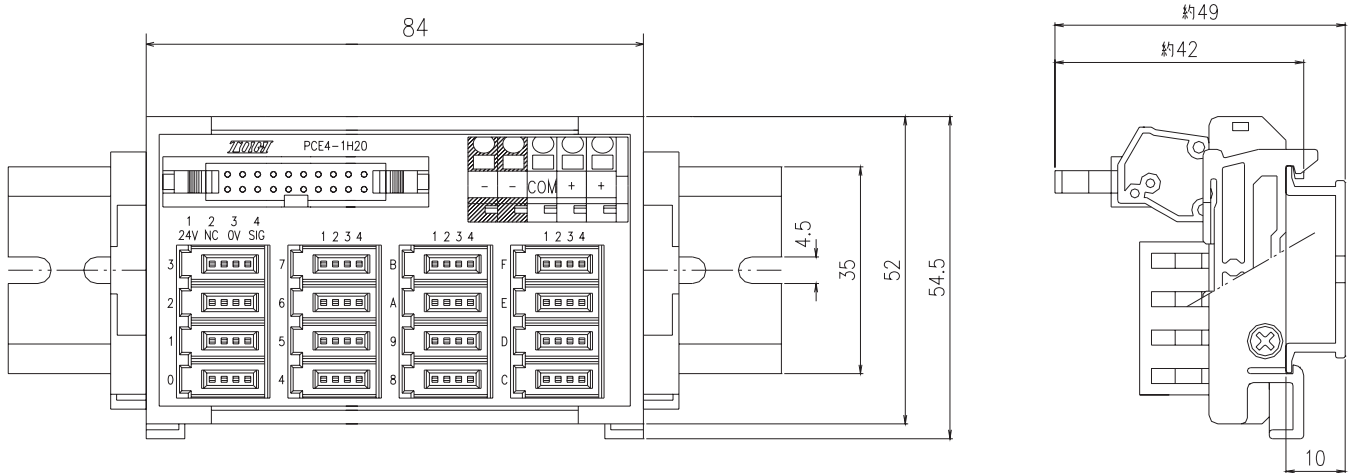
■ Connector Pin arrangement

Pin	PCE3-1H20
1	24V
2	0V
3	
4	

■ PCE3-1H20 Connecting diagram (Top View)



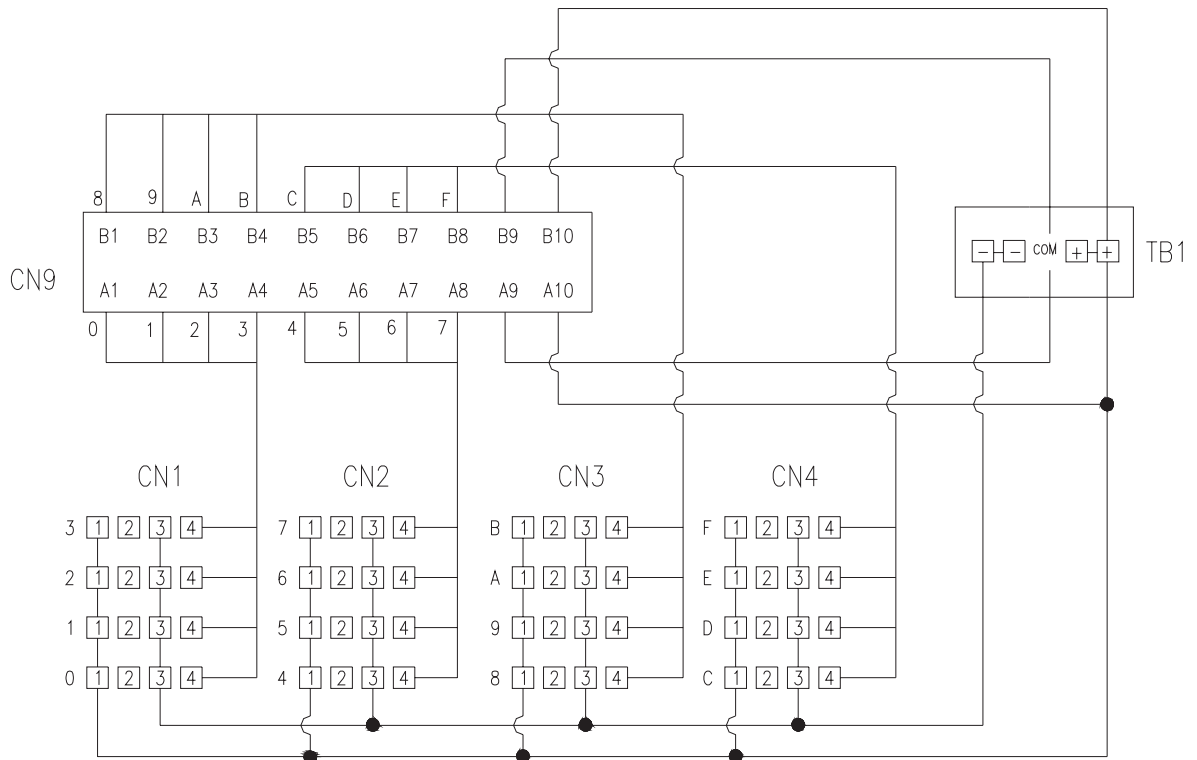
■ PCE4-1H20 Dimensional Drawing



■ Connector Pin arrangement

Pin	PCE4-1H20
1	24V
2	NC
3	0V
4	SIN (Signal)

■ PCE4-1H20 Connecting diagram (Top View)



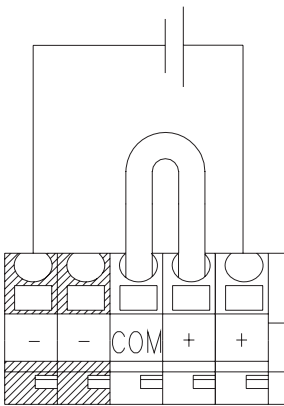
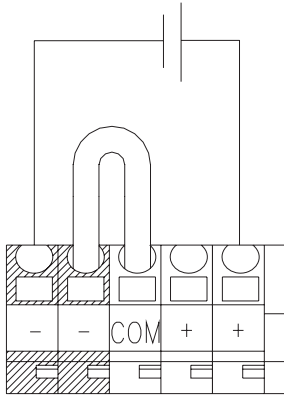
All the 2 is NC

■ Applicable PLC / Units

It is necessary to connect “+” or “—” power supply to all the PLC I/O module “COM”

### OMRON PLC

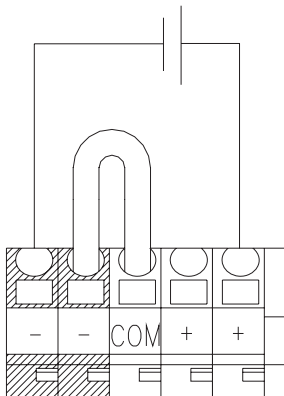
Connect the COM line as follows



	Connection
C500-ID218CN	+ or -
C500-ID501CN	+ or -
C500-OD415CN	- only
C500-OD501CN	- only
C500-MD211CN	CN1 - only CN2 + or -
C200H-1D215	+ or -
C200H-1D501	+ or -
C200H-OD215	- only
C200H-OD501	- only
C200H-MD115	CN1 - only CN2 + or -
C200H-MD215	CN1 - only CN2 + only
C200H-MD501	CN1 - only CN2 + or -

### MITSUBISHI PLC

Connect the COM line as above.



FX1NC-16MT	FX2NC-96MT
FX1NC-32MT	FX2C-64MT
FX2NC-16MT	FX2C-96MT
FX2NC-32MT	FX2C-128MT
FX2NC-64MT	FX2C-160MT