



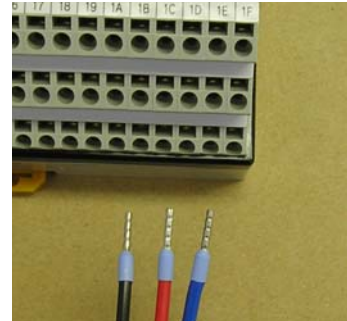
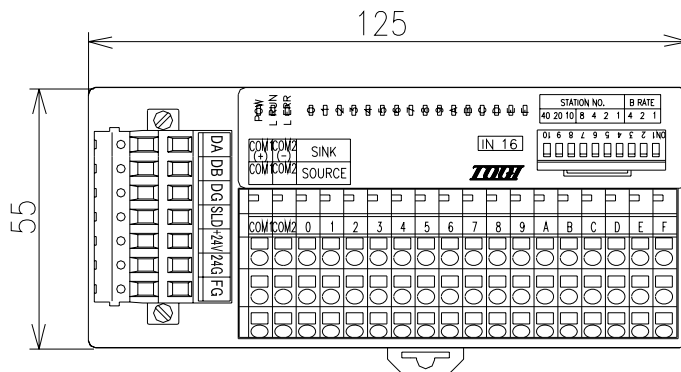
# Specification of Input, Output(Sink). Output(Source) and IN/OUT Module

## Input Module

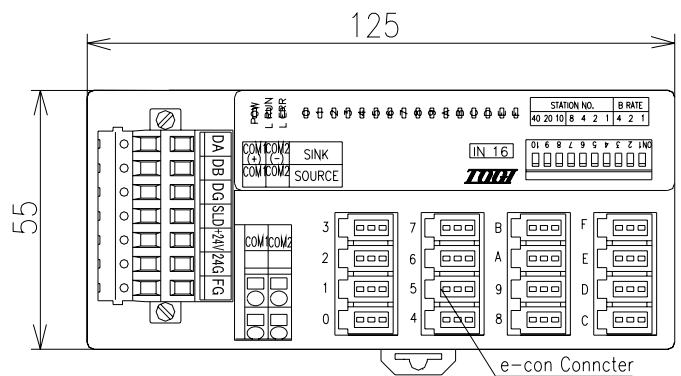
### ●Input Module General Specification

Input module Specification		
Number of input points	16 points, 32 points	
Isolation method	Photo coupler	
Rated input voltage	24VDC	
Rated input current	Approx. 5mA	
Operating voltage range	19.2 to 26.4 VDC (ripple rate within 5%)	
OFF voltage/OFF current	15V or higher/3mA or higher	
ON voltage/ON current	3V or lower/1.5mA or lower	
Input resistance	Approx. 4.7 K $\Omega$	
Response time	OFF→ON	0.2msec or lower (24 VDC)
	ON→OFF	0.2msec or lower (24 VDC)
Transmission speed	156Kbps/625Kbps/2.5Mbps/5Mbps/10Mbps	
Common method	16 points/common	
Input form	Sink/source loading shared type	
Number of station occupied	1 station 32points (16points are used)	
I/O module power supply	Voltage	20.4 to 26.4 VDC(ripple rate within 5%)
	Current	40mA or lower (When TYP, 24VDC)
Noise durability	DC type's noise voltage 900Vp-p According to the noise Simulator of noise frequency 45Hz, noise width 1 $\mu$ s.	
Dielectric withstand voltage	DC external terminal batch AC 500V between grounding 1minute	
Insulation resistor	DC external terminal batch DC 500V between grounding 10M $\Omega$ or more indication on the indication resistance tester.	

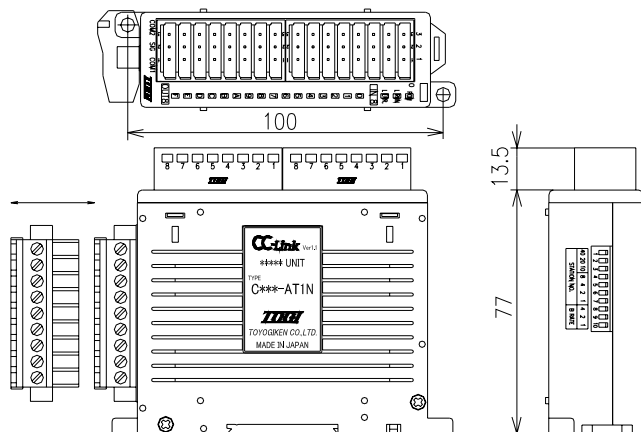
## C16X-CT1V (Sink/Source loading shared type)



## C16X-CT1E (Sink/Source loading shared type)

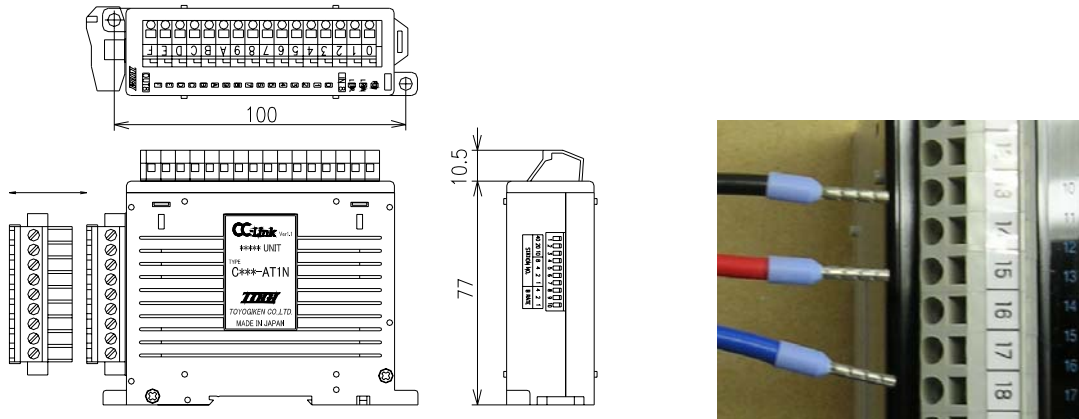


## C16X-AT1N (Sink/Source loading shared type)



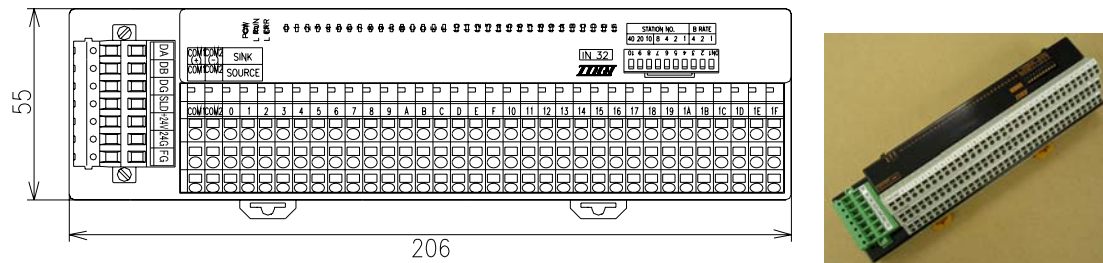
## C16X-AT1V (Sink/Source loading shared type)

Input 16points



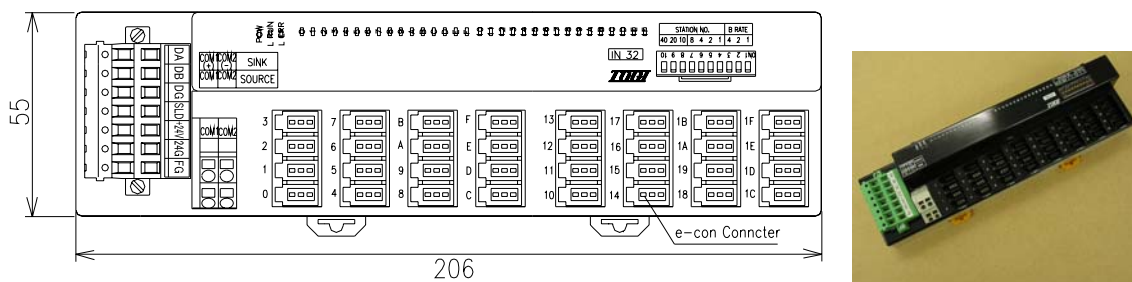
## C32X-CT1V (Sink/Source loading shared type)

Input 32points



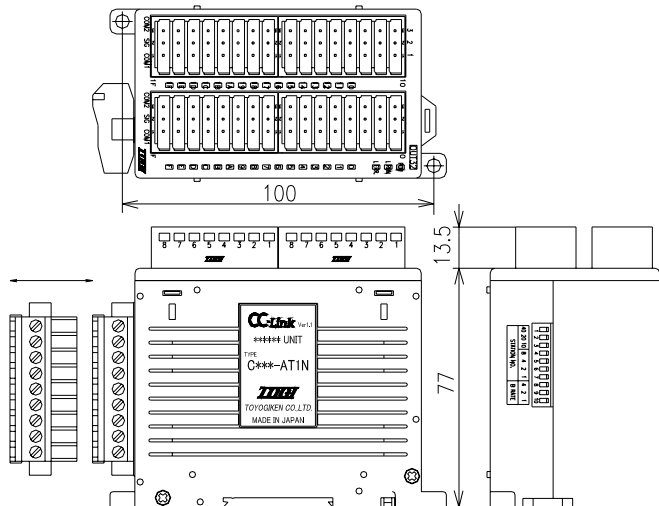
## C32X-CT1E (Sink/Source loading shared type)

Input 32points



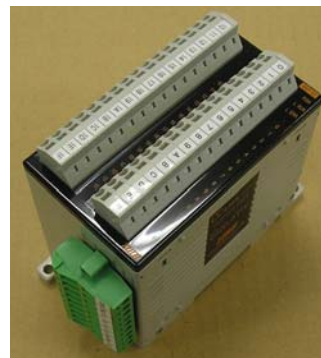
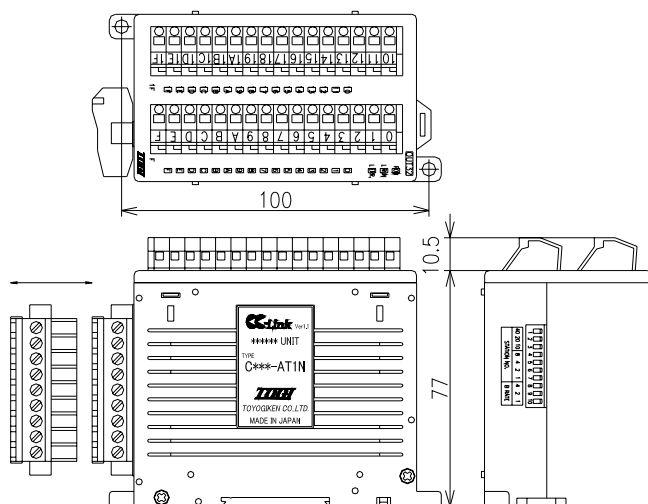
## C32X-AT1N (Sink/Source loading shared type)

Input 32points



## C32X-AT1V (Sink/Source loading shared type)

Input 32points



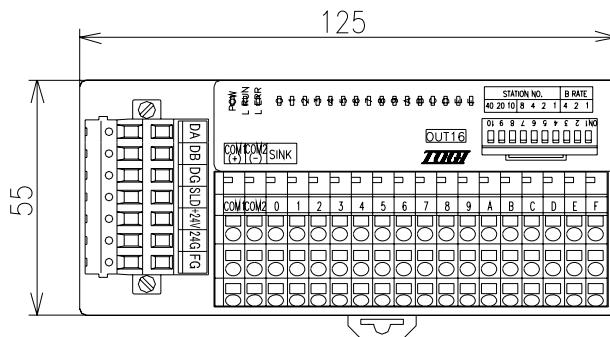
# Output Module

## ● Output Module General Specification

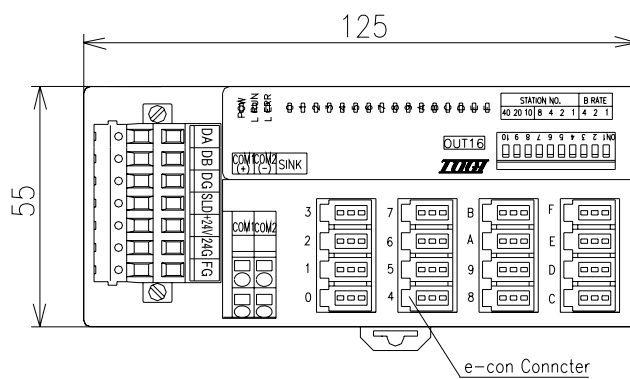
### SINK type

Output module Specification		
Number of input points	16 points , 32 points	
Isolation method	Photo coupler	
Rated input voltage	12/24VDC	
Operating voltage range	10.2 to 26.4 VDC (ripple rate within 5%)	
Max. load current	Approx 500mA/point 3.6A/common (32 points →4.8A/common)	
Max. inrush current	1.0A 10ms or lower	
Leakage current at OFF	0.3V or lower(TYP)0.5A, 06V or lower (max)0.5A	
Max. voltage drop at ON	0.1ms or lower	
Response time	OFF→ON	0.5msec or lower
	ON→OFF	1.5msec or lower (Resistive load)
Transmission speed	156Kbps/625Kbps/2.5Mbps/5Mbps/10Mbps	
Output module power supply	Voltage	10.2 to 26.4VDC (ripple rate within 5%)
	Current	30mA (TYP, 24VDC/common), Not including external load current
Surge suppression	Non	
Common method	16 point/common , 32 point/common	
Output form	Sink	
Number of stations occupied	1 station 32pints (use 16points)	
I/O module power supply	Voltage	20.4 to 26.4VDC (ripple rate within 5%)
	Current	50 mA or lower (16points) , 65 mA or lower (32points)
Noise durability	DC type's noise voltage 900Vp-p According to the noise simulator of noise frequency 45Hz, noise width 1 μ s.	
Dielectric withstand voltage	DC external terminal batch AC 500V between grounding 1minute	
Insulation resistor	DC external terminal batch DC 500V between grounding 10MΩ or more indication on the indication resistance tester.	
Weight	Approx. 210g	
External wiring system	7poles 2pieces connecter	

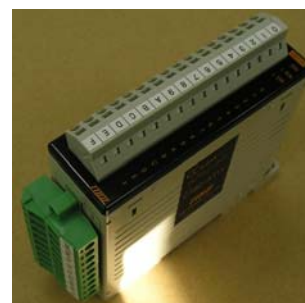
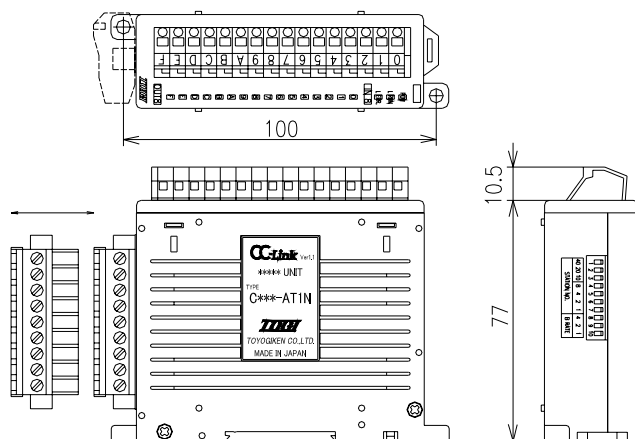
## C16D-CT1V (Sink type) Output 16points



## C16D-CT1E (Sink type) Output 16points

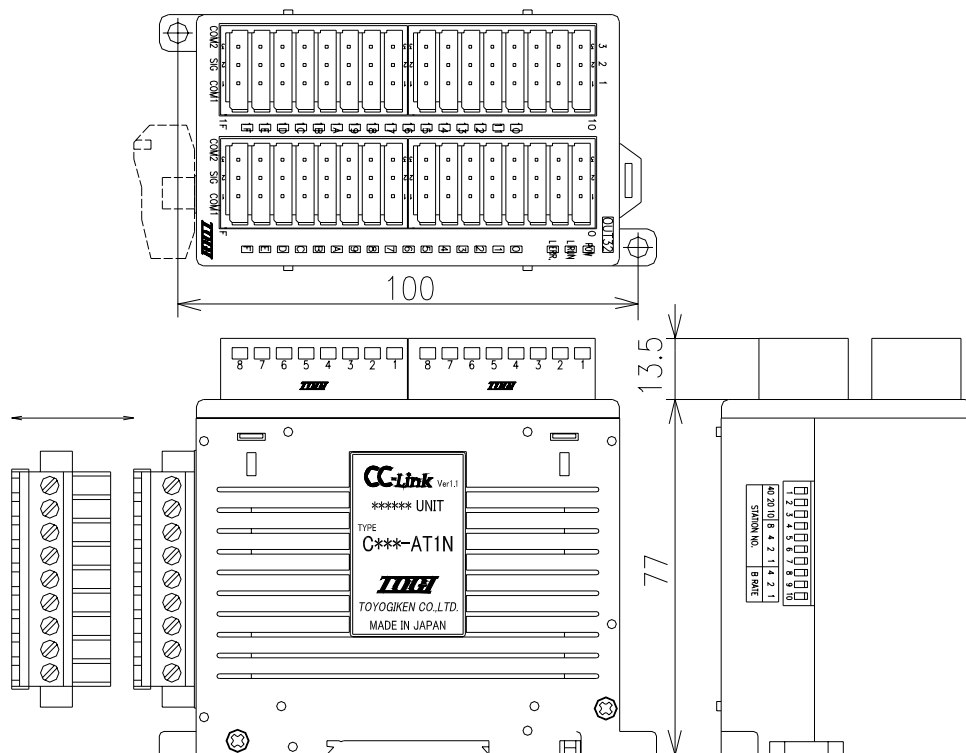


## C16D-AT1V (Sink type) Output 16points

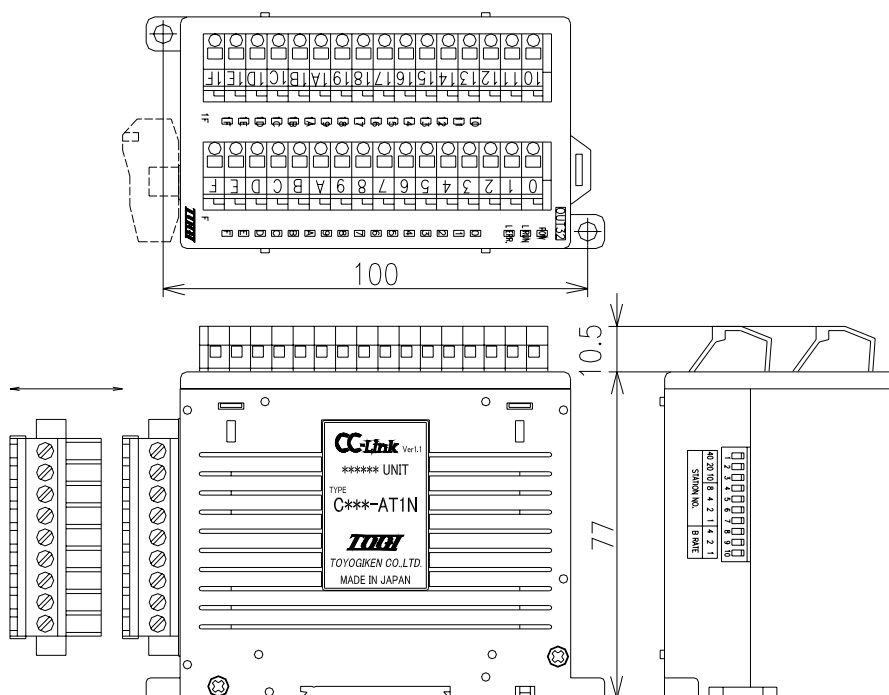




## C32D-AT1N (Sink type) Output 32points



## C32D-CT1V (Sink type) Output 32points



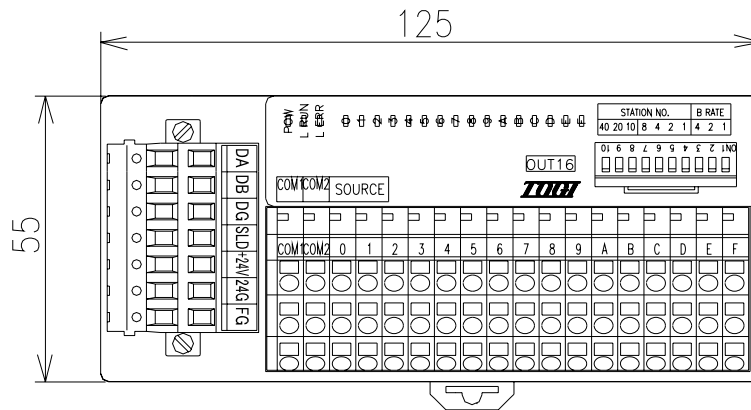
# Output Module

## ● Output Module General Specification

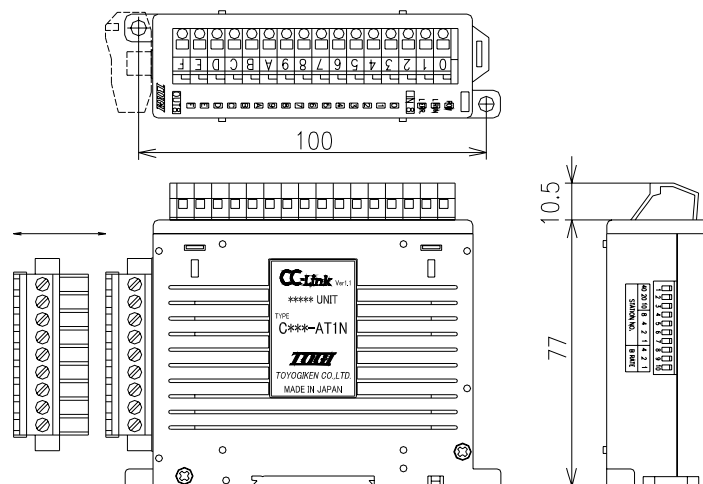
### SOURCE type

Output module Specification		
Number of input points	16 points	/32 points
Isolation method	Photo coupler	
Rated input voltage	12/24VDC	
Operating voltage range	10.2 to 26.4 VDC (ripple rate within 5%)	
Max. load current	Approx 100mA/point	1.6A/common
Max. inrush current	1.0A 10ms or lower	
Leakage current at OFF	0.1V or lower(TYP)0.5A,0.2V or lower (max)0.1A	
Max. voltage drop at ON	0.1ms or lower	
Response time	OFF→ON	0.5msec or lower
	ON→OFF	1.5msec or lower (Resistive load)
Transmission speed	156Kbps/625Kbps/2.5Mbps/5Mbps/10Mbps	
Output module power supply	Voltage	10.2 to 26.4VDC (ripple rate within 5%)
	Current	30mA (TYP, 24VDC/common) /60mAfor 32 points
Surge suppression	Non	
Common method	16 point/common	/32 point/common
Output form	Source	
Number of stations occupied	1 station 32pints	
I/O module power supply	Voltage	20.4 to 26.4VDC (ripple rate within 5%)
	Current	50 mA or lower (at 24VDC and all the points ON)
Noise durability	DC type's noise voltage 900Vp-p According to the noise simulator of noise frequency 45Hz, noise width 1 μ s.	
Dielectric withstand voltage	DC external terminal batch AC 500V between grounding 1minute	
Insulation resistor	DC external terminal batch DC 500V between grounding 10MΩ or more indication on the indication resistance tester.	
Weight	Approx. 210g	/Approx. 340g
External wiring system	7poles 2pieces connecter	

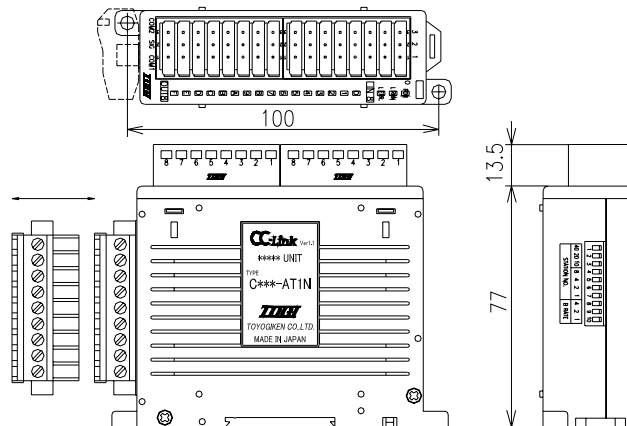
## C16P-CT1V (Source type) Output 16points



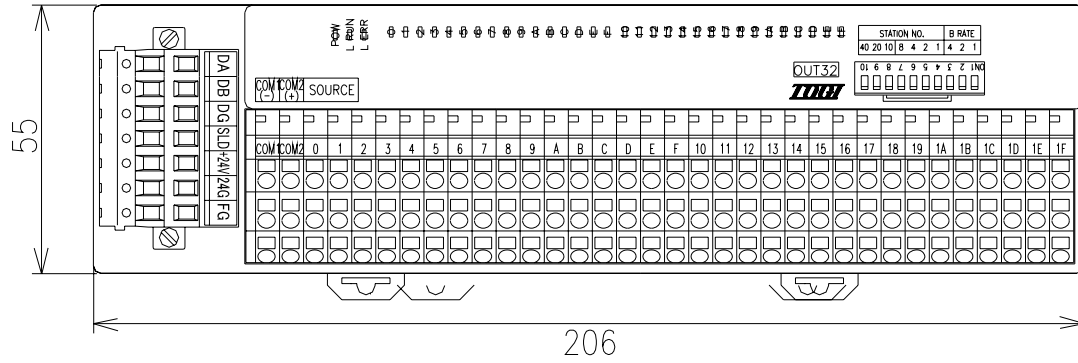
## C16P-AT1V (Source type) Output 16points



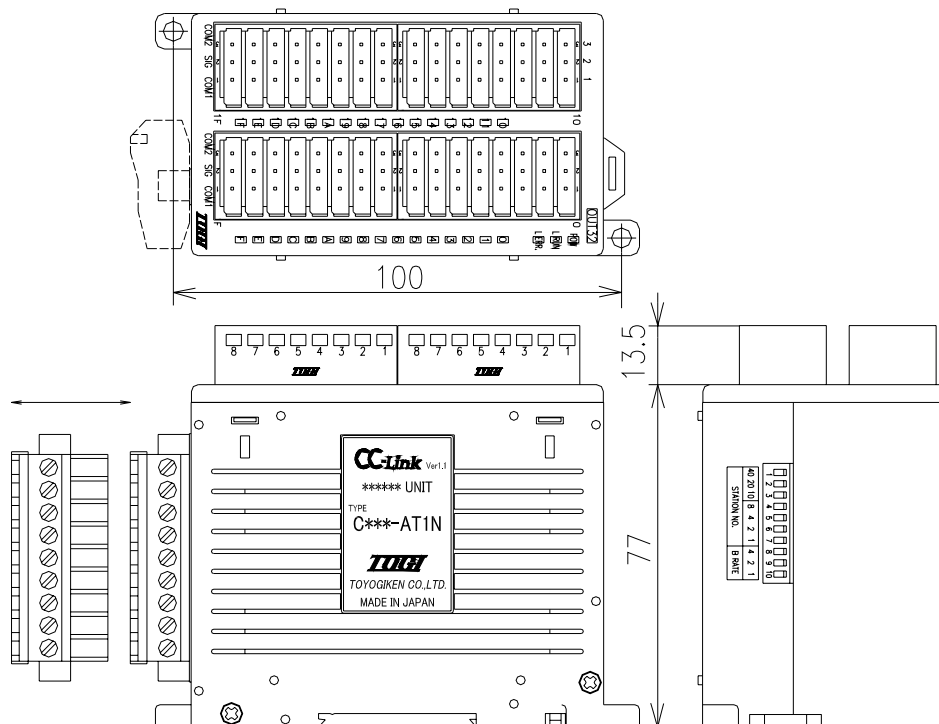
## C16P-AT1N (Source type) Output 16points



## C32P-AT1V (Source type) Output 32points



## C32P-AT1N (Source type) Output 32points



# Input / Output Module

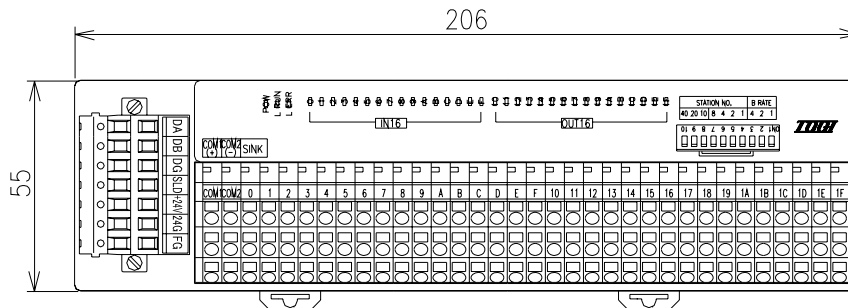
## ● Input / Output Module General Specification

DC I/O module		
Point		IN/OUT 8point / IN/OUT 16points
I/O module power supply	Voltage	20.4 to 26.4 VDC(ripple rate within 5%)
	Current	40mA or lower / 60mA or lower
Noise durability		DC type's noise voltage 900Vp-p According to the noise simulator of noise frequency 45Hz, noise width 1 $\mu$ s.
Dielectric withstand voltage		DC external terminal batch AC 500V between grounding 1minute
Insulation resistor		DC external terminal batch DC 500V between grounding 10M $\Omega$ or more indication on the indication resistance tester.
Transmission speed		156Kbps/625Kbps/2.5Mbps/5Mbps/10Mbps
Weight		Approx. 145g /Approx. 340g
External wiring system		7poles 2pieces connector

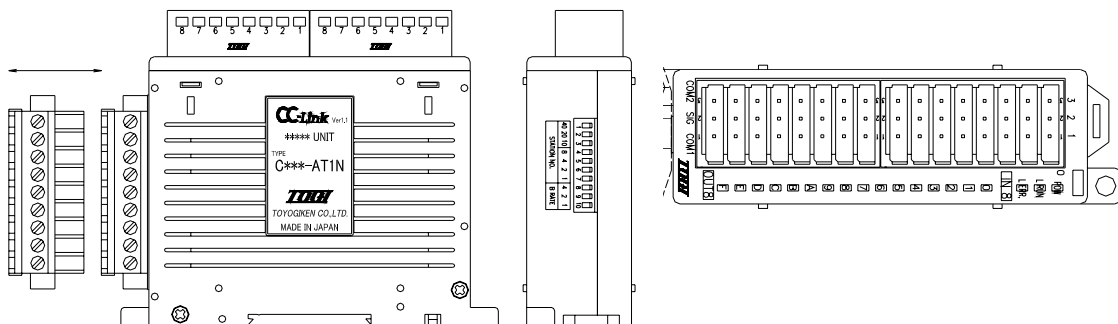
Input Specification		
Number of input points		8 points /16 points
Isolation method		Photo coupler
Rated input voltage		24VDC
Rated input current		Approx. 5mA
Operating voltage range		19.2 to 26.4 VDC (ripple rate within 5%)
OFF voltage/OFF current		15V or higher/3mA or higher
ON voltage/ON current		3V or lower/1.5mA or lower
Input resistance		Approx. 4.7 K $\Omega$
Response time	OFF→ON	0.2msec or lower (24 VDC)
	ON→OFF	0.2msec or lower (24 VDC)
Common method		16 points/common / 32 points/common
Input form		Sink loading type
Number of station occupied		1 station 32points

Output Specification		
Number of input points	8 points /16 points	
Isolation method	Photo coupler	
Rated input voltage	24VDC	
Operating voltage range	19.2 to 26.4 VDC (ripple rate within 5%)	
Max. load current	Approx 500mA/point 2.4A/common	
Max. inrush current	1.0A 10ms or lower	
Max. voltage drop at ON	0.1v or lower(typ) 0.1A, 0.2V or lower(Max) 0.1A	
Leakage current at OFF	0.1A or lower	
Response time	OFF→ON	0.5msec or lower
	ON→OFF	1.5msec or lower (Resistive load)
Output module power supply	Voltage	20.4 to 26.4VDC (ripple rate within 5%)
	Current	50mA (typ 24VDC) /30mA (typ 24VDC)
Surge suppression	Non	
Common method	16 point/common /32 point/common	
Output form	SINK	
Number of stations occupied	1 station 32pints	

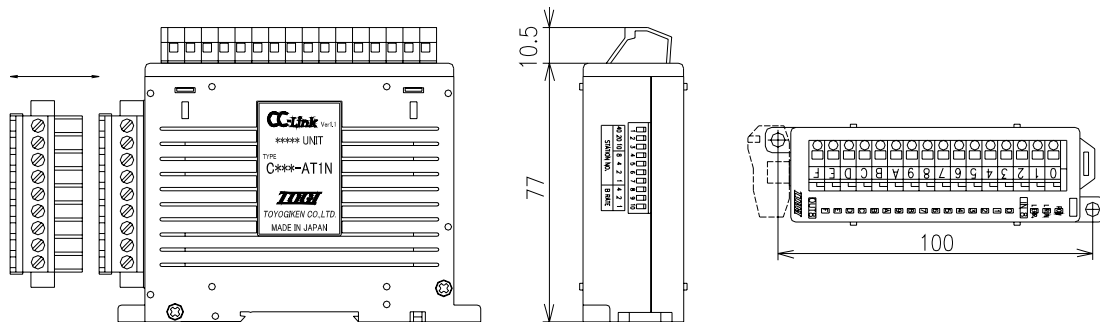
## C16XD-CT1V (Sink type) Input 16, Output 16



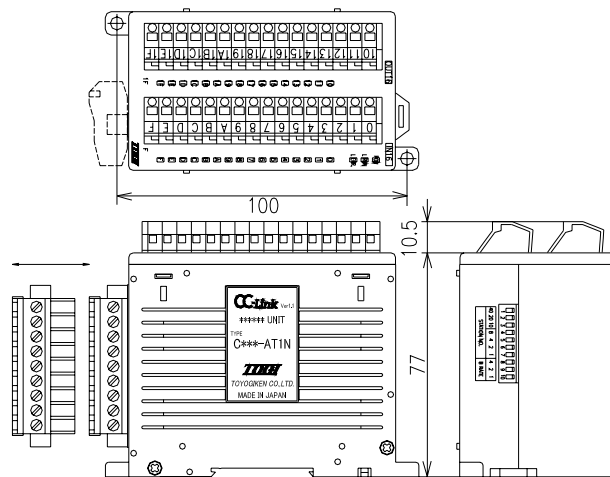
## C08XD-AT1N (Sink type) Input 8, Output 8



**C08XD-AT1V (Sink type) Input 8, Output 8**



**C16XD-AT1V (Sink type) Input 16, Output 16**



**C16XD-AT1N (Sink type) Input 16, Output 16**

